



City of Cincinnati

801 Plum Street
Cincinnati, OH 45202

Agenda - Final

Budget and Finance Committee

Chairperson Reggie Harris
Vice Chair Jeff Cramerding
Councilmember Mark Jeffreys
Councilmember Scotty Johnson
Vice Mayor Jan-Michele Kearney
Councilmember Anna Albi
Councilmember Meeka Owens
Councilmember Seth Walsh
President Pro Tem Victoria Parks

Monday, April 22, 2024

1:00 PM

Council Chambers, Room 300

PRESENTATIONS

“BIOCHAR REPLICATION FACILITY”

Jason Barron, Director, Cincinnati Parks Department
Oliver Kroner, Director, Office of Environment and Sustainability
Crystal Courtney, Division Manager of Natural Resources, Cincinnati Parks Department

“616 RACE STREET DEVELOPMENT AGREEMENT”

Markiea Carter, Director, Department of Community and Economic Development

AGENDA

EXECUTIVE SESSION

Pursuant to Ohio Revised Code 121.22(G)(4)

TRANSFERS AND APPROPRIATIONS

1. [202401125](#) ORDINANCE (EMERGENCY) submitted by Sheryl M. M. Long, City Manager, on 4/17/2024, AUTHORIZING the transfer and return to source of \$500,000 from capital improvement program project account no. 980x203x232031, “Urban Tree Canopy - GF,” to the unappropriated surplus of the General Fund to realign sources with uses; AUTHORIZING the transfer and appropriation of \$500,000 from the unappropriated surplus of the General Fund to capital improvement program project account no. 980x203x222004, “Biochar Replication Facility,” to provide additional resources for implementing a biochar production facility; and AUTHORIZING the transfer and appropriation of \$850,000 from the unappropriated surplus of Revolving Energy Loan Fund 883 to capital improvement program project account no. 980x203x222004, “Biochar Replication Facility,” to provide additional resources for implementing a biochar production facility.

Sponsors:

City Manager

Attachments: [Transmittal](#)
[Ordinance](#)

DEVELOPMENT AGREEMENT

2. [202401207](#) ORDINANCE (EMERGENCY), submitted by Sheryl M. M. Long, City Manager, on 4/22/2024, AUTHORIZING the City Manager to execute a Development Agreement with 616 Race LLC, pertaining to the development and construction of approximately 84,281 square feet of commercial space, consisting of approximately 109 hotel rooms, on property located at 614-616 Race Street in the Central Business District of Cincinnati, and providing for City assistance to the project in the form of a rebate of a portion of the service payments in lieu of taxes imposed in connection with a proposed thirty-year property tax exemption for improvements pursuant to Ohio Revised Code Section 5709.41, subject to the passage by Council of a separate ordinance authorizing such tax exemption.

Sponsors: City Manager

Attachments: [Transmittal](#)
[Ordinance](#)
[Attachment](#)

GRANTS

3. [202401128](#) ORDINANCE submitted by Sheryl M. M. Long, City Manager, on 4/17/2024, AUTHORIZING the City Manager to accept and appropriate a grant of up to \$2,000 from the American Heart Association to support the Cincinnati Health Department's participation in its Ambulatory Quality Improvement Program; and AUTHORIZING the Director of Finance to deposit the grant funds into Public Health Research Fund revenue account no. 350x8571.

Sponsors: City Manager

Attachments: [Transmittal](#)
[Ordinance](#)

4. [202401129](#) ORDINANCE submitted by Sheryl M. M. Long, City Manager, on 4/17/2024, AUTHORIZING the City Manager to apply for, accept, and appropriate a grant of up to \$400,000 from the Ohio Department of Health for the expansion of existing school-based health centers ("SBHCs") to expand the SBHC at Roberts Academy; and AUTHORIZING the Director of Finance to deposit the grant funds into Public Health Research Fund revenue account no. 350x8536.

Sponsors: City Manager

Attachments: [Transmittal](#)
[Ordinance](#)

5. [202401126](#) ORDINANCE (EMERGENCY) submitted by Sheryl M. M. Long, City Manager, on 4/17/2024, AUTHORIZING the City Manager to apply for, accept, and appropriate a grant of up to \$50,000 from the Bloomberg Philanthropies Youth Climate Action Fund to Environment and Sustainability Fund 436 to create the Cincinnati Youth Climate Action Program; and AUTHORIZING the Director of Finance to deposit grant revenues into Environment and Sustainability Fund 436 revenue account no. 436x8571.
- Sponsors:** City Manager
- Attachments:** [Transmittal](#)
[Ordinance](#)
6. [202401068](#) ORDINANCE, submitted by Sheryl M. M. Long, City Manager, on 4/10/2024, AUTHORIZING the City Manager to apply for, accept, and appropriate a grant of up to \$54,600 from the Ohio Department of Public Safety, Ohio Traffic Safety Office, Drive to Succeed 2024 Grant, to provide community-based scholarships to eligible students for driver education training; and AUTHORIZING the Director of Finance to deposit the grant funds into Law Enforcement Grant Fund 368, project account no. 24DTS.
- Sponsors:** City Manager
- Attachments:** [Transmittal](#)
[Ordinance](#)
7. [202401224](#) ORDINANCE (B VERSION), submitted by Sheryl M. M. Long, City Manager, on 4/22/2024, AUTHORIZING the City Manager to apply for, accept, and appropriate a grant of up to \$56,160 from the Ohio Department of Public Safety, Ohio Traffic Safety Office, Drive to Succeed 2024 Grant, to provide community-based scholarships to eligible students for driver education training; and AUTHORIZING the Director of Finance to deposit the grant funds into Law Enforcement Grant Fund 368, project account no. 24DTS.
- Sponsors:** City Manager
- Attachments:** [Transmittal](#)
[Ordinance](#)

MOTIONS

8. [202401150](#) MOTION, submitted by Councilmembers Johnson, Walsh, Owens and Jeffreys, WE MOVE that the Administration produces a report within ninety (90) days on the pros and cons of Project Labor Agreement (PLAs). This report should include potential impacts on worker wages, labor availability, project costs, project efficiency, worker safety, workforce diversity, the bidding process, and any other relevant information. It should also include the historic context of any other similar policies implemented or studied by the City. (STATEMENT

ATTACHED)

Sponsors: Johnson, Walsh, Owens and Jeffreys

Attachments: [Motion](#)

9. [202401119](#) MOTION, submitted by Councilmembers Walsh, Harris and Parks, WE MOVE that the Administration provide a report within ninety (90) days regarding the process of replacing trees planted in the rights-of-way around the City that have damaged adjacent sidewalks and other private properties. This report should include the plan and current status for replacing all trees in the right of way that cause damage to the surrounding sidewalk including a timeline for replacement and projected cost to property owners and possible funding sources from the City to mitigate the cost.

Sponsors: Walsh, Harris and Parks

Attachments: [202401119](#)

PRESENTATIONS

10. [202401196](#) PRESENTATION, submitted by Sheryl M. M. Long, City Manager, dated 4/22/2024, regarding the Biochar Replication Facility Update Presentation from the Cincinnati Parks Department and the Office of Environment and Sustainability (OES) for the Budget and Finance Committee Meeting.

Sponsors: City Manager

Attachments: [Transmittal](#)
[Presentation](#)

11. [202401228](#) PRESENTATION, dated 04/19/2024, submitted by Councilmember Harris, from Cincinnati Center City Development Corporation (3CDC); regarding the 614-16 Race Street Building.

Sponsors: Cincinnati City Council

Attachments: [3CDC 614-16 Race Street](#)

ADJOURNMENT

April 17, 2024

To: Mayor and Members of City Council

202401125

From: Sheryl M. M. Long, City Manager

Subject: Emergency Ordinance – Parks: Biochar Replication Facility

Attached is an Emergency Ordinance captioned:

AUTHORIZING the transfer and return to source of \$500,000 from capital improvement program project account no. 980x203x232031, “Urban Tree Canopy – GF,” to the unappropriated surplus of the General Fund to realign sources with uses; **AUTHORIZING** the transfer and appropriation of \$500,000 from the unappropriated surplus of the General Fund to capital improvement program project account no. 980x203x222004, “Biochar Replication Facility,” to provide additional resources for implementing a biochar production facility; and **AUTHORIZING** the transfer and appropriation of \$850,000 from the unappropriated surplus of Revolving Energy Loan Fund 883 to capital improvement program project account no. 980x203x222004, “Biochar Replication Facility,” to provide additional resources for implementing a biochar production facility.

Approval of this Emergency Ordinance authorizes the following:

1. The transfer and return to source of \$500,000 from the “Urban Tree Canopy – GF” capital improvement program project account to the unappropriated surplus of the General Fund;
2. The transfer and appropriation of \$500,000 from the unappropriated surplus of the General Fund to the “Biochar Replication Facility” capital improvement program project account; and
3. The transfer and appropriation of \$850,000 from the unappropriated surplus of Revolving Energy Loan Fund 883 to the “Biochar Replication Facility” capital improvement program project account.

The biochar replication facility project is the City’s first carbon removal project that will include a combined heat and power system. Heat emitted from biochar production will be captured to heat the greenhouses at Warder Nursery and generate electricity. The biochar replication facility is also expected to produce energy savings and be eligible for elective pay benefits under the Inflation Reduction Act (IRA).

Implementing a biochar production facility is in accordance with the “Sustain” goal to “[b]ecome a healthier Cincinnati” and strategy to “[c]reate a healthy environment and reduce energy consumption” as well as the goal to “[p]reserve our natural and built environment” as described on pages 181 – 186 and 193 of Plan Cincinnati (2012).

The reason for the emergency is the immediate need to appropriate additional resources to the biochar production facility project to meet the established project timeline.

The Administration recommends passage of this Emergency Ordinance.

cc: Andrew M. Dudas, Budget Director
Karen Alder, Finance Director



Attachment

EMERGENCY

KKF

- 2024

AUTHORIZING the transfer and return to source of \$500,000 from capital improvement program project account no. 980x203x232031, “Urban Tree Canopy – GF,” to the unappropriated surplus of the General Fund to realign sources with uses; **AUTHORIZING** the transfer and appropriation of \$500,000 from the unappropriated surplus of the General Fund to capital improvement program project account no. 980x203x222004, “Biochar Replication Facility,” to provide additional resources for implementing a biochar production facility; and **AUTHORIZING** the transfer and appropriation of \$850,000 from the unappropriated surplus of Revolving Energy Loan Fund 883 to capital improvement program project account no. 980x203x222004, “Biochar Replication Facility,” to provide additional resources for implementing a biochar production facility.

WHEREAS, on October 6, 2021, Council approved Ordinance No. 385-2021, which authorized the appropriation of up to \$400,000 in grant resources from Bloomberg Philanthropies and the transfer and appropriation of local matching resources of \$100,000 from Urban Forestry Fund 428 to implement a biochar production facility; and

WHEREAS, on February 1, 2023, Council approved Ordinance No. 26-2023, which amended the name of capital improvement program project account no. 980x203x222004, “Biochar Replication Bloomberg Grant,” to “Biochar Replication Facility”; and

WHEREAS, Ordinance No. 26-2023 also authorized the transfer and appropriation of \$300,000 from the unappropriated surplus of Park Board Permanent Improvement Fund 752 to capital improvement program project account no. 980x203x222004, “Biochar Replication Facility,” and authorized the City Manager to accept and appropriate resources of \$300,000 from Great Parks of Hamilton County to capital improvement program project account no. 980x203x222004, “Biochar Replication Facility”; and

WHEREAS, the Cincinnati Board of Park Commissioners (“Park Board”) identified an additional need of \$1,350,000 for the Biochar Replication Facility, of which \$500,000 is available to be returned to the General Fund from capital improvement program project account no. 980x203x232031, “Urban Tree Canopy – GF,” and \$850,000 is available in Revolving Energy Loan Fund 883; and

WHEREAS, the biochar replication facility project is the City’s first carbon removal project that will include a combined heat and power system, by which the heat emitted from the biochar production process will be captured and used to heat the greenhouses at Warder Nursery and generate electricity; and

WHEREAS, the biochar replication facility is expected to produce energy savings and be eligible for elective pay benefits under the Inflation Reduction Act (“IRA”); and

WHEREAS, the IRA provides tax credits for clean energy technologies and includes elective pay provisions that enable governmental entities to receive federal payments equal to the value of tax credits for eligible clean energy projects; and

WHEREAS, implementing a biochar production facility is in accordance with the “Sustain” goal to “[b]ecome a healthier Cincinnati” and strategy to “[c]reate a healthy environment and reduce energy consumption” as well as the goal to “[p]reserve our natural and built environment” as described on pages 181 – 186 and 193 of Plan Cincinnati (2012); now, therefore,

BE IT ORDAINED by the Council of the City of Cincinnati, State of Ohio:

Section 1. That Council authorizes the transfer and return to source of \$500,000 from capital improvement program project account no. 980x203x232031, “Urban Tree Canopy – GF,” to the unappropriated surplus of the General Fund to realign sources with uses.

Section 2. That Council authorizes the transfer and appropriation of \$500,000 from the unappropriated surplus of the General Fund to capital improvement program project account no. 980x203x222004, “Biochar Replication Facility,” to provide additional resources to implement a biochar production facility.

Section 3. That Council authorizes the transfer and appropriation of \$850,000 from the unappropriated surplus of Revolving Energy Loan Fund 883 to capital improvement program project account no. 980x203x222004, “Biochar Replication Facility,” to provide additional resources to implement a biochar production facility.

Section 4. That the proper City officials are authorized to do all things necessary and proper to carry out the terms of Sections 1 through 3.

Section 5. That this ordinance shall be an emergency measure necessary for the preservation of the public peace, health, safety, and general welfare and shall, subject to the terms

of Article II, Section 6 of the Charter, be effective immediately. The reason for the emergency is the immediate need to appropriate additional resources to the biochar production facility project to meet the established project timeline.

Passed: _____, 2024

Aftab Pureval, Mayor

Attest: _____

Clerk

April 22, 2024

To: Members of the Budget and Finance Committee

From: Sheryl M.M. Long, City Manager

202401207

Subject: Emergency Ordinance – Authorizing a Development Agreement with 616 Race, LLC

Attached is an Emergency Ordinance captioned:

AUTHORIZING the City Manager to execute a Development Agreement with 616 Race LLC, pertaining to the development and construction of approximately 84,281 square feet of commercial space, consisting of approximately 109 hotel rooms, on property located at 614-616 Race Street in the Central Business District of Cincinnati, and providing for City assistance to the project in the form of a rebate of a portion of the service payments in lieu of taxes imposed in connection with a proposed thirty-year property tax exemption for improvements pursuant to Ohio Revised Code Section 5709.41, subject to the passage by Council of a separate ordinance authorizing such tax exemption.

BACKGROUND/CURRENT CONDITIONS

The project involves the renovation of 614-616 Race Street located in the Central Business District. The building previously housed The Chong Inc, a downtown clothing and consumer goods retailer and has been vacant since March 2020. The Cincinnati Center City Development Corporation (3CDC) acquired the building in May 2020 and was awarded State historic tax credits to renovate the building in June 2022. 3CDC has partnered with Keystone Management Group (Keystone) and intends to sell the building to Keystone to redevelop the property. Keystone submitted a financial assistance application seeking City incentives to support the redevelopment of the building in October 2023.

DEVELOPER INFORMATION

616 Race, LLC is an affiliate of Keystone Management Group. Founded in 2000, Keystone Management Group is a hotel investment, development, and management firm headquartered in Greater Cincinnati (Symmes Township). Keystone Management Group currently manages eight hotels in the Greater Cincinnati area and is currently constructing two additional hotels. Recent projects located within the City include the completed 110-unit TownePlace Suites by Marriott located at 106 W. 7th Street as well as the 116-unit Home2Suites by Hilton under construction in Oakley.

RECOMMENDATION

The Administration recommends approval of this Emergency Ordinance. The emergency clause is necessary to confirm City support to facilitate the financial closing and so that construction can commence at the earliest possible time.

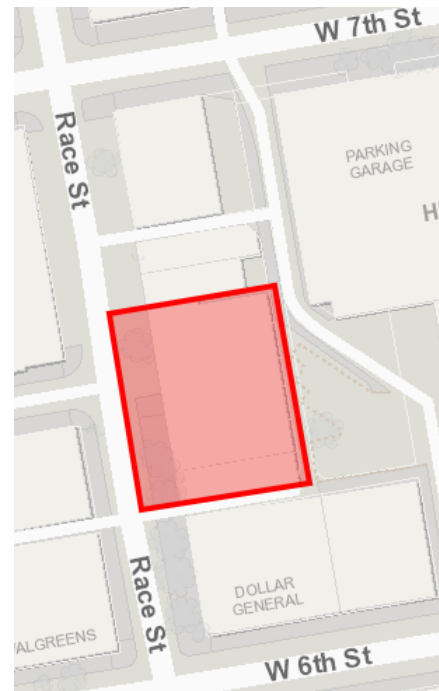
Attachment: Project Outline and Proposed Incentive

Copy: Markiea L. Carter, Director, Department of Community & Economic Development

Project Outline

Project Name	616 Race Street Redevelopment
Street Address	614-616 Race Street
Neighborhood	Central Business District
Property Condition	Vacant building
Project Type	Renovation
Project Cost	Acquisition & Predevelopment Cost: \$3.2 Hard Construction Cost: \$18.1MM Soft Cost: \$4.3MM FF&E & Initial Operating Cost: \$2.5MM Total Project Cost: \$28.1MM
Private Investment	Private Financing: \$21.10MM Developer Equity: \$7.0
Sq. Footage by Use	Hotel: 84,000 SF
Rent Ranges	Average Daily Hotel Rate: \$162/night
Jobs, Payroll, and Hotel Tax Revenue	Created FTE Positions: 20 Total Payroll for Created FTE Positions: \$700K Average Salary for Created FTE Positions: \$35,000 Construction FTE Positions: 80 Total Payroll for Construction FTE Positions: \$5.2MM Annual City Hotel Tax Revenue: \$193K
Location and Transit	Transit Score: 82 (Excellent)
Community Engagement	Presented at Community Council (CC) in October 2023. Received letter stating no objections.
Plan Cincinnati Goals	Compete Initiative Area Goal 2 (p. 114-120), Sustain Initiative Area Goal 2 (p.193-198)

Project Image and Site Map



Proposed Incentive

Incentive Terms	25-year, net 52% Project TIF
Project TIF Type	ORC 5709.41 (“Private Project”)
“But For”	Without Exemption: -1% rate of return (stabilized); 10% average rate of return over incentive term With Exemption: 2% rate of return (stabilized); 13% average rate of return over incentive term
Environmental Building Certification	Non-LEED
VTICA	15%
SBE/MBE/WBE Goals	17% MBE, 10% WBE
Planning Commission Approval	City entering chain of title approved on 4/19/2024
Other Incentives & Approvals	Project has secured Ohio Historic Tax Credits
Additional Incentive Details	City to receive Excess Service Payments for years 26-30.

Potential Taxes Forgone & Public Benefit

Taxes Forgone	Value
Annual Net Incentive to Developer	\$161,415
Total Term Incentive to Developer	\$4,035,373
City's Portion of Property Taxes Forgone (Term)	\$1,090,570
City's TIF District Revenue Forgone (Term)	\$5,665,042

Public Benefit	Value	
CPS PILOT	Annual	\$102,436
	Total Term	\$2,560,909
VTICA	Annual	\$46,562
	Total Term	\$1,164,050
Income Tax Total Term (Maximum)	\$409,500	
Total Public Benefit (CPS PILOT, VTICA , Income Tax)	\$4,134,459	

Total Public Benefit ROI*	\$1.02
City's ROI**	\$0.06

*This figure represents the total dollars generated for public purposes (City/Schools/Other) over total property taxes forgone.

**This figure represents the total income tax generated for the City over the City's property taxes forgone.

EMERGENCY

KMG

- 2024

AUTHORIZING the City Manager to execute a Development Agreement with 616 Race LLC, pertaining to the development and construction of approximately 84,281 square feet of commercial space, consisting of approximately 109 hotel rooms, on property located at 614-616 Race Street in the Central Business District of Cincinnati, and providing for City assistance to the project in the form of a rebate of a portion of the service payments in lieu of taxes imposed in connection with a proposed thirty-year property tax exemption for improvements pursuant to Ohio Revised Code Section 5709.41, subject to the passage by Council of a separate ordinance authorizing such tax exemption.

WHEREAS, 616 Race LLC (“Developer”) desires to enter into a Development Agreement with the City (the “Development Agreement”) pertaining to the development of property located at 614-616 Race Street in Cincinnati (the “Project Site”) into approximately 84,281 square feet of commercial space, consisting of approximately 109 hotel rooms, at an estimated aggregate project development cost of \$28,108,720 (the “Project”); and

WHEREAS, Developer anticipates that the Project will result in (i) the creation of approximately twenty full-time permanent jobs with an annual payroll of approximately \$700,000; and (ii) the creation of approximately eighty full-time temporary construction jobs with an estimated total payroll of \$5,200,000 during the construction period; and

WHEREAS, the City’s Department of Community and Economic Development (“DCED”) has recommended a thirty-year real property tax exemption for the Project pursuant to Ohio Revised Code Section 5709.41, subject to the passage by Council of a separate ordinance authorizing such exemption (the “Project TIF” and the “TIF Ordinance,” as applicable); and

WHEREAS, in order to create the Project TIF, the City must have held fee title to the Project Site prior to the enactment of the TIF Ordinance; therefore, pursuant to the Development Agreement: (i) Developer will first sell and convey (or cause to be sold and conveyed) the Project Site to the City for \$1.00; and (ii) immediately thereafter, the City will reconvey the Project Site to Developer for \$1.00; and

WHEREAS, upon passage of the TIF Ordinance, Developer desires to enter into a Service Agreement with the City, in substantially the form attached as an exhibit to the Development Agreement, pursuant to which Developer will make service payments in lieu of real property taxes; and

WHEREAS, the parties anticipate that the service payments in lieu of taxes will be used: (i) to make payments to the Board of Education of the Cincinnati City School District (the “School Board”) under the City’s Tax Incentive Agreement with the School Board effective as of April 28, 2020; (ii) for the City to maintain and operate the streetcar; (iii) to pay certain administration fees to the Hamilton County, Ohio Auditor and the City; (iv) to make certain rebate payments to Developer with respect to the Project; and (v) by the City to support urban

redevelopment purposes, in each case in the manner and in the respective amounts set forth in the Development Agreement; and

WHEREAS, DCED estimates that the real property tax exemption for the Improvement (as defined in Ohio Revised Code Section 5709.41) to the Project Site could provide an annual net benefit to Developer in the amount of approximately \$161,415; and

WHEREAS, the City has determined that it is in the best interest of the City to rebate the aforementioned portion of the service payments to Developer because the City will receive substantial economic and non-economic benefits from the Project in that the Project will create jobs, stimulate economic growth in the City's Central Business District, bring another hotel to the area near the Convention Center, and enable the Project Site to be put to its highest and best use, all for the benefit of the people of the City; and

WHEREAS, the Project Site is located in the "District 3 – Downtown/OTR West District Incentive District" TIF district; and

WHEREAS, Section 13 of Article VIII of the Ohio Constitution provides that, to create or preserve jobs and employment opportunities and to improve the economic welfare of the people of the State, it is a public interest and proper public purpose for the State or its political subdivisions to lend aid or credit for industry, commerce, distribution, and research; and

WHEREAS, the City believes that the Project will promote urban redevelopment in the Central Business District of Cincinnati, is in the vital and best interests of the City and the health, safety, and welfare of its residents, and is in accordance with the public purposes and provisions of applicable federal, state, and local laws and requirements; and

WHEREAS, the City Planning Commission approved the City's acquisition and reconveyance of the Project Site at its meeting on April 19, 2024; now, therefore,

BE IT ORDAINED by the Council of the City of Cincinnati, State of Ohio:

Section 1. That the City Manager is hereby authorized to execute a Development Agreement with 616 Race LLC ("Developer"), in substantially the form attached as Attachment A to this ordinance (the "Development Agreement"), pertaining to the development of property located at 614-616 Race Street in Cincinnati (the "Project Site"), which development will consist of approximately 84,281 square feet of commercial space, consisting of approximately 109 hotel rooms (the "Project"), at an estimated aggregate Project development cost of approximately \$28,108,720.

Section 2. That, pursuant to the Development Agreement, Council (a) finds that the City is engaging in urban redevelopment; and (b) authorizes the City to accept title to the Project Site and to reconvey the same promptly thereafter to Developer, in each instance for \$1.00, in order to facilitate the subsequent creation of a real property tax exemption for the Project Site under Ohio Revised Code Section 5709.41.

Section 3. That Council authorizes the appropriate City officials to take all necessary and proper actions to fulfill the terms of this ordinance, the Development Agreement, any and all Project-related documents described in the Development Agreement, and all ancillary agreements, amendments, property deeds, plats, and other documents to create new encumbrances and release existing encumbrances on the title to the Project Site, all as deemed necessary or appropriate by the City Manager.

Section 4. That this ordinance shall be an emergency measure necessary for the preservation of the public peace, health, safety, and general welfare and shall, subject to the terms of Article II, Section 6 of the Charter, be effective immediately. The reason for the emergency is the immediate need to enable the parties to execute the Development Agreement as soon as possible so that Developer can promptly acquire the Project Site, thereby creating a significant economic benefit and enhancement to the City at the earliest possible time.

Passed: _____, 2024

Aftab Pureval, Mayor

Attest: _____
Clerk

Contract No: _____

DEVELOPMENT AGREEMENT

between the

CITY OF CINCINNATI,
an Ohio municipal corporation

and

616 RACE LLC,
an Ohio limited liability company

Project Name: 616 Race Street Redevelopment

Dated: _____, 2024

DEVELOPMENT AGREEMENT (616 Race Street Redevelopment)

THIS DEVELOPMENT AGREEMENT (this “**Agreement**”) is made and entered into effective as of the Effective Date (as defined on the signature page hereof) between the **CITY OF CINCINNATI**, an Ohio municipal corporation, 801 Plum Street, Cincinnati, Ohio 45202 (the “**City**”), and **616 RACE LLC**, an Ohio limited liability company, 8825 Chapel Square Drive, Suite A, Cincinnati, Ohio 45249 (“**Developer**”).

Recitals:

A. Developer is under contract to purchase certain real property located at 614-616 Race Street in the Central Business District of Cincinnati, including a vacant 4-story building located thereon, and which property is depicted and more particularly described on Exhibit A (*Site Plan; Legal Description*) hereto (the “**Property**”).

B. Developer desires to renovate the building located on the Property, including constructing 2 new additional floors thereto, into an approximately 84,281 square feet of commercial space, consisting of approximately 109 hotel rooms, at an estimated total project cost (including property acquisition, hard construction costs, and soft costs) of approximately \$28,108,720, as more particularly described on Exhibit B (*Statement of Work, Budget, and Sources of Funds*) hereto (the “**Project**”).

C. Developer intends to commence construction of the Project no later than April 30, 2025 (the “**Commencement Deadline**”), and complete construction of the Project no later than June 30, 2027 (the “**Completion Deadline**”).

D. Developer anticipates that the Project will result in the creation of approximately 80 full-time temporary construction jobs with a total payroll of approximately \$5,200,000, and approximately 20 full-time equivalent permanent jobs upon completion with an estimated annual payroll of approximately \$700,000.

E. In furtherance of the City’s urban redevelopment goals, the City intends to provide an incentive to facilitate the Project and enable the creation of jobs within the City of Cincinnati. Namely, the City intends to exempt improvements to the Property from real estate taxation under Section 5709.41 of the Ohio Revised Code for 30 years by ordinance (the “**TIF Exemption**” and the “**TIF Ordinance**”, respectively), whereby (i) Developer will pay (or cause to be paid) statutory service payments (“**Service Payments**”) to the Hamilton County Treasurer, pursuant to a service agreement to be entered into by and between the City and Developer following the Effective Date, which shall be substantially in the form of Exhibit C (*Form of Service Agreement*) hereto (the “**Service Agreement**”), in the same manner and amount as real property taxes on the Property would be paid had the project-based TIF Exemption not been established; and (ii) the Service Payments, less applicable Hamilton County Auditor fees, will be distributed by the Hamilton County Treasurer to the City and placed in Fund No. 763, Urban Redevelopment Tax Increment Equivalent Fund II, established by City Council pursuant to Ordinance No. 217-2015.

F. City Council passed Motion No. 201401368 on November 19, 2014, and Motion No. 201501592 on December 16, 2015 (collectively, the “**VTICA Motions**”), which VTICA Motions (i) direct the Department of Community and Economic Development (“**DCED**”) to treat contributions by developers in the vicinity of the streetcar project to streetcar operations (“**VTICA**”) to be a major factor in its analysis of the appropriateness of providing tax incentives to developers’ projects, and (ii) establish that a contribution of at least 15% of the real property taxes that would have been payable on the property but for the City-authorized tax exemption is the threshold for whether such a contribution is to be considered by DCED. Developer is willing to make a VTICA contribution in an amount equal to 15% of the real property taxes that would have been payable on the Property but for the TIF Exemption for years 1 through 25 of the TIF Exemption (the “**VTICA Contribution**”). To facilitate the VTICA Contribution in as convenient a manner as possible, the City will withhold the VTICA Contribution from the Service Payments and direct them appropriately in accordance with this Agreement.

G. Prior to any rebate of Service Payments to Developer as described herein, (i) a portion of the applicable Service Payments will be retained by the Hamilton County, Ohio Auditor as a fee; (ii) 33% of the applicable Service Payment will be paid to the Board of Education of the Cincinnati City School District (the “**School Board**”) to satisfy the City’s obligations with respect to the Project under that certain *Tax Incentive Agreement* by and between the City and the School Board effective as of April 28, 2020, as the same may be hereafter amended, modified, and restated; (iii) the City will retain the fees described in Section 11(B) of this Agreement; and (iv) the City will retain the VTICA Contribution, if applicable. The proceeds of any Service Payment actually received by the City with respect to the Property, net of the payments described in clauses (i) through (iv) above, are referred to in this Agreement as the “**Excess Service Payments**”. Subject to the terms and conditions of this Agreement, (i) during years 1 through 25 of the TIF Exemption, the City will provide a rebate to Developer of 100% of the Excess Service Payments, and (ii) during years 26 through 30, the City will retain all Excess Service Payments. Any Excess Service Payments retained by the City (the “**Residual Service Payments**”) pursuant to the terms of this Agreement and any other Project Documents (as defined below) may be used for certain urban redevelopment purposes as established in the TIF Ordinance and for any other lawful purpose.

H. In order to create a project-based TIF exemption for the Project under Section 5709.41 of the Ohio Revised Code, the City must have held fee title to the Property prior to the enactment of the TIF Ordinance. Accordingly, Developer will convey or cause to be conveyed fee title to the Property to the City for \$1.00 at Closing (as defined below), and the City will immediately re-convey the Property to Developer thereafter for \$1.00, in each case on, and subject to, the terms of this Agreement.

I. The City has determined that re-conveying the Property to Developer for \$1.00 is appropriate because the City will receive the Property for the same amount, and the conveyance of the Property back to Developer is necessary to facilitate the Project.

J. The City has determined that eliminating competitive bidding in connection with the re-conveyance of the Property to Developer is appropriate because the Property is under contract to be acquired by Developer and Developer’s willingness to initially convey or cause to be conveyed the Property to the City is contingent upon the City’s agreement to promptly re-convey the Property to Developer and to no other party.

K. The City, subject to the necessary approvals by City Planning Commission and City Council, intends to provide Developer an easement over a portion of Parcel No.: 077-0002-0249-90 owned by the City along College Street to be used by Developer as outdoor amenity space (the “**Outdoor Easement**”).

L. The Property is currently included in the tax increment financing district known as District 3 – Downtown/OTR West District Incentive District (the “**TIF District**”), established by Ordinance No. 413-2002, passed by City Council on December 18, 2002, pursuant to Ohio Revised Code Section 5709.40. In order to facilitate the TIF Exemption, the City anticipates removing the Property from the TIF District.

M. As used herein, the term “**Project Documents**” means, collectively, this Agreement, the Service Agreement, the Completion Guaranty (as defined below), the Indemnity Agreement (as defined below), and any and all other agreements pertaining to the Project entered into by the City, on the one hand, and Developer or Guarantor (as defined below), on the other hand, or any instruments or other documents pertaining to the Project made by the City in favor of Developer or by Developer in favor of the City.

N. Section 13 of Article VIII of the Ohio Constitution provides that, to create or preserve jobs and employment opportunities and to improve the economic welfare of the people of the State, it is a public interest and proper public purpose for the State or its political subdivisions to sell, lease, exchange, or otherwise dispose of property within the State of Ohio for industry, commerce, distribution and research.

O. The City, upon recommendation of DCED, believes that the Project is in the vital and best interests of the City and the health, safety, and welfare of its residents, and in accordance with the public purposes and provisions of applicable federal, state and local laws and requirements and for this reason the City desires to facilitate the Project by providing the Rebate Payments (as defined below) as described herein and in the Service Agreement.

P. City Planning Commission, having the authority to approve the change in the use of City-owned property, approved the conveyances described in this Agreement at its meeting on [April 19, 2024].

Q. The execution of this Agreement and the other Project Documents, as applicable, was authorized by City Council by Ordinance No. ____-2024, passed by City Council on _____, 2024. Notwithstanding anything in this Agreement to the contrary, the parties' obligations hereunder are conditioned upon the passage of the TIF Ordinance.

NOW, THEREFORE, for good and valuable consideration, the receipt and sufficiency of which are hereby acknowledged, the parties hereto agree as follows:

1. DUE DILIGENCE INVESTIGATIONS.

(A) Developer's Delivery of Due Diligence Materials to the City. Following the Effective Date and at such time as such documents become available, Developer, at its sole expense, shall obtain and deliver (or cause to be obtained and delivered) to the City the following items:

- (i) *Title:* A copy of Developer's Owner's Policy of Title Insurance or other evidence satisfactory to the City showing that Developer owns good and marketable fee simple title to the Property;
- (ii) *Survey:* An ALTA survey of the Property showing all easements and other matters of record that can be shown on a survey;
- (iii) *Site Plan:* A detailed site plan showing the proposed location of the Project and approved by DCED and the City's Department of Transportation and Engineering ("**DOT**");
- (iv) *Appraisal:* A projected "as built" appraisal of the Project (but only if such an appraisal is required by Developer's lender);
- (v) *Construction Schedule:* A detailed construction timeline showing significant construction milestones for the Project;
- (vi) *Budget:* A detailed and updated development budget for the Project;
- (vii) *Building Permit & Zoning Approvals:* evidence that Developer has obtained all building permits issued by the City's Department of Buildings and Inspections ("**B&I**") necessary for the construction of the Project, including any and all zoning approvals that may be required; *provided that* such evidence may be submitted after the Closing;
- (viii) *Completion Guaranty:* Evidence satisfactory to the City that Guarantor has sufficient assets and liquidity in the event that the City seeks payment under the Completion Guaranty or the Indemnity Agreement, in accordance with the terms thereof;
- (ix) *Environmental:* A copy of whatever environmental reports Developer may obtain in connection with the Project, including, at a minimum, a Phase I environmental site assessment under current ASTM standards, and such other evidence and documentation as is deemed necessary or desirable by the City's Office of Environment and Sustainability ("**OES**") to confirm that environmental conditions on the site are adequate for the City to take title, and such agreements or other documentation as may be necessary to provide the City with the legal right to rely on any applicable environmental reports;
- (x) *Financing:* Evidence satisfactory to the City that Developer has or has obtained sufficient financial resources in order to commence and complete the Project; *provided that* such evidence may be submitted after the Closing;

- (xi) *Franchise Agreement*: Evidence satisfactory to the City that Developer has executed a franchise agreement for operation of a Home 2 Suites by Hilton Hotel at the Property and attained all required licenses and approvals to do so;
- (xii) *Management Agreement*: Evidence satisfactory to the City that Developer or Developer's affiliate has executed a management agreement with Keystone Management Group, LLP ("**Keystone**") for the management of the day-to-day affairs of the hotel at the Property (the "**Management Agreement**"); and
- (xiii) *Other Information*: Such other information and documents pertaining to Developer or the Project as the City may reasonably require.

(B) Copies of Due Diligence Materials to be Provided to the City. Without limitation of Developer's other obligations under this Agreement, and particularly the due diligence materials identified in Section 1(A), prior to Closing and as such reports and materials are obtained by Developer, Developer, at no cost to the City, and upon request, shall provide DCED with copies of the inspection, engineering, and environmental reports, geotechnical reports, title reports, surveys, and other materials prepared by third party professionals obtained by Developer prior to Closing that pertain to the Project.

(C) Contingency for City's Satisfaction with Due Diligence Investigations. All reports and the like obtained by Developer from third parties and delivered (or caused to be delivered) to the City shall be recent (*i.e.*, prepared or updated, as the case may be, within 3 months preceding the date that the item is delivered to the City or such longer period of time as the City may, in its sole discretion, deem reasonable) and shall be prepared by properly licensed and qualified companies or individuals acceptable to the City. In addition to the above due diligence items, the parties may conduct whatever additional investigations concerning the Project as they deem necessary, including, without limitation, investigations into the feasibility and likelihood of Developer obtaining all building, zoning, and other approvals from B&I, the City's Department of Planning and Engagement, the City Planning Commission, and any other applicable City departments, agencies or boards. If, during or at the conclusion of the due diligence investigations, any party reasonably determines that any part of the Project is not feasible or desirable for any reason, then, notwithstanding anything in this Agreement to the contrary, such party may terminate this Agreement by giving the other party written notice thereof, whereupon this Agreement shall terminate and neither party shall thereafter have any rights or obligations hereunder except as may expressly survive termination. Unless otherwise directed by the DCED Director, Developer shall deliver (or cause to be delivered) all due diligence materials to be provided to the City under this Agreement to the DCED Director (for review by DCED and other City departments as deemed necessary or appropriate by DCED) and shall generally coordinate all aspects of the Project (as they relate to the City) through DCED. Upon Closing, the termination rights of the parties under this Section 1I shall automatically terminate and thereafter shall be null and void.

2. CLOSING.

(A) Closing Date. The closing of the transactions described in this Section 2 (the "**Closing**") is anticipated to take place on April 24, 2024, or such other date upon which the parties may agree (the "**Closing Date**"); *provided, however*, that the Closing shall occur prior to the passage of the TIF Ordinance. It is the intention of the parties that all of the transactions contemplated in this Section 2 will occur on the same date in as immediate a sequence as is possible. The occurrence of the Closing is subject to (i) the parties' satisfaction with the various due diligence matters described in Section 1 above, and (ii) the prior execution and delivery to the City of the Service Agreement and each of the other applicable Project Documents.

(B) Initial Conveyance. On the Closing Date, Developer shall transfer or cause to be transferred title to the Property to the City for \$1.00 (the "**Initial Conveyance**") by Quitclaim Deed in substantially the form of Exhibit D-1 (*Form of Quitclaim Deed - Initial Conveyance*) hereto. Developer shall pay all customary closing costs relating to the Initial Conveyance (*e.g.*, County transfer tax and County recording fees). The City agrees to neither make, nor permit to be made, any material changes to the condition of the Property or the title thereto during the period in which it owns the Property, which the parties intend to be for as short a period as practicable. During the period in which the City owns the Property, Developer, and its employees and agents, are permitted to enter upon the Property for the

purpose of conducting activities associated with the Project at no cost to the City, provided that such entry shall be at the sole risk of Developer, its employees and agents, and provided, further, for the avoidance of doubt, that the activities described in this sentence are subject to the indemnification provisions in Sections 3(H) and 5(C) of this Agreement.

(C) City Conveyance. Immediately following the Initial Conveyance, the City shall re-convey the Property to Developer for \$1.00 (the “**City Conveyance**”), by a Quitclaim Deed in substantially the form of Exhibit D-2 (Form of Quitclaim Deed – City Conveyance) hereto. Developer shall pay all customary closing costs relating to the City Conveyance (e.g., County transfer tax and County recording fees). The deed effecting the Initial Conveyance shall be recorded prior to the deed effecting the City Conveyance.

(D) Miscellaneous Closing Provisions. Pursuant to Section 301-20 of the Cincinnati Municipal Code (“**CMC**”), at Closing, Developer shall pay to the City any and all unpaid related and unrelated fines, penalties, judgments, water or other utility charges, and any and all other outstanding amounts owed by Developer and/or related to the Property to the City. There shall be no proration of real estate taxes and assessments at Closing, and it is understood that the City shall in no way be responsible for the payment of any real estate taxes, service payments in lieu of taxes, and/or assessments due or thereafter becoming due. At Closing, the City and Developer shall execute and cause the execution of a closing statement, County exempt transfer forms, and any and all other customary closing documents that may be deemed necessary for the Closing by the City.

3. COMPLETION OF THE PROJECT.

(A) Preparation of Plans and Specifications. Promptly following the Effective Date, Developer shall prepare plans and specifications for the Project and shall submit the same to DCED for review and approval; *provided* that DCED may only withhold approval if such plans and specifications (i) materially reduce or diminish the size (including the number of hotel rooms), scope, quality, or site plan of the Project, (ii) could reasonably be expected to reduce the projected hard construction cost of the Project, or (iii) are otherwise inconsistent with zoning laws or any planned development approved by City Council with respect to the Project or are materially inconsistent with Exhibit B, in each case as determined in DCED’s sole and absolute discretion, such approval not to be unreasonably withheld or delayed. The approved plans and specifications for the Project (including any and all changes thereto) are referred to herein as the “**Final Plans**” with respect to the Project.

(B) Construction Contract; Bids. Following Closing, Developer shall (i) enter into a construction contract if not previously executed, and (ii) obtain construction bids for the Project. Developer shall deliver to the City final construction bids, a final budget for the Project, and an executed copy of Developer’s construction contract with Developer’s general contractor for construction of the Project.

(C) Completion and Commencement of Construction. Developer shall (i)(a) apply for and receive the required building permits from B&I for construction of the Project and (b) commence construction of the Project in accordance with the Final Plans no later than the Commencement Deadline, and (ii) complete construction of the Project (as evidenced by a certificate of occupancy for the Project) in accordance with the Final Plans, and in compliance with all applicable laws, no later than the Completion Deadline. Notwithstanding the foregoing, the City may, upon Developer’s written request and at the City’s sole and absolute discretion, permit the Commencement Deadline and the Completion Deadline to each be extended twice in 6 month increments.

(D) Completion Guaranty. On or before Closing, Developer shall cause Shihasi Starwind Airport, LLC, an Ohio limited liability company (“**Guarantor**”), to execute a *Completion Guaranty* substantially in the form of Exhibit E (Form of Completion Guaranty) hereto (“**Completion Guaranty**”). In the event that this Agreement is terminated pursuant to either Section 4(E) or Section 10(O) of this Agreement, then the Completion Guaranty shall automatically terminate.

(E) Inspection of Work. During construction of the Project, the City, its employees and agents shall have the right at all reasonable times, and upon reasonable notice, to enter upon the construction site to examine and inspect the progress of construction to determine whether Developer is complying

with the requirements of this Agreement. Notwithstanding the foregoing, nothing herein shall in any way limit the inspection rights the City otherwise legally possesses, whether in connection with exercising its police powers, permitting, or otherwise.

(F) Mechanics' Liens. Developer shall not permit any mechanics' or other liens to be filed against the Property during construction. If a mechanic's lien shall at any time be filed, Developer shall within 30 days after notice of the filing thereof, cause the same to be discharged of record.

(G) Barricade Fees Payable to DOTE. Developer acknowledges that, if applicable, (i) it will be required to obtain a barricade permit and pay barricade fees to DOTE for the closure of any sidewalks and curb lanes of the adjacent streets if and when demolition or construction necessitates closing the adjoining streets or portions thereof, and (ii) with many entities competing for space on City streets, it is important that construction activities be limited to as little space and the shortest duration as possible and that all work be scheduled and performed to cause the least interruption to vehicular travel, bicyclists, pedestrians, and businesses; therefore, DOTE shall have the right to evaluate Developer's need for a barricade throughout construction and, if at any time after consultation with Developer DOTE determines that a barricade is not needed, DOTE shall have the right to withdraw the permit.

(H) Environmental Indemnity. As a material inducement to the City to enter into this Agreement, Developer does hereby agree that, with respect to any environmental condition on or otherwise affecting the Property that exists at or prior to the Effective Date (herein, a "pre-existing environmental condition"), and regardless of whether or not such pre-existing environmental condition is described in any environmental assessment or any other environmental report that may have been previously furnished by Developer to the City, Developer shall (i) at no expense to the City, promptly take all steps necessary to remediate such pre-existing environmental condition in accordance with applicable laws and regulations, within a reasonable time after discovery, to the satisfaction of OES; and (ii) defend, indemnify, and hold the City harmless from and against any and all actions, suits, claims, losses, costs (including, without limitation, reasonable attorneys' fees), demands, judgments, liability, and damages suffered or incurred by or asserted against the City as a result of or arising from any such pre-existing environmental condition. Developer's remediation and indemnity obligations under this paragraph shall survive the completion of the Project.

(I) Balanced Development Representations. As part of Developer's incentive application received by DCED, Developer made the following representations (collectively, with all other representations made by Developer in its application pertaining to the City's development priorities pursuant to Ordinance No. 70-2021, passed by City Council on March 10, 2021, the "**Balanced Development Representations**"):

(i) Living Wage. All jobs created by the Project (during construction and after) will comply with the City's living wage policy as reflected in CMC Chapter 317, which rates shall be adjusted annually in accordance with such chapter;

(ii) Local Hire. Developer shall (i) adopt hiring practices to ensure that at least 25% of the new employees created by the Project shall be residents of the City of Cincinnati and (ii) give preference to residents of the City relative to residents of the State who do not reside in the City when hiring new employees related to the Project;

(iii) Inclusion. Developer shall use best efforts to meet the goals listed in Section F of Exhibit F (Additional Requirements); and

Developer acknowledges and agrees that in determining to recommend and authorize this Agreement, DCED and City Council, respectively, have acted in material reliance on Developer's Balanced Development Representations.

4. CITY ASSISTANCE.

(A) Service Payment Rebate. Subject to Developer's compliance with the terms and conditions of this Agreement and all other Project Documents, the City shall apply the proceeds of the Service Payments other than Excess Service Payments as described in Recital G of this Agreement, and shall apply Excess Service Payments with respect to years 1 through 25 of the TIF Exemption by remitting 100% of such Excess Service Payments to Developer (the "**Rebate Payments**"). With respect to years 26 through 30 of the TIF Exemption, the City will retain 100% of those Excess Service Payments and Developer acknowledges and agrees that Developer is in no event entitled to any portion of the Excess Service Payments with respect to such years of the TIF Exemption. Developer acknowledges and agrees that, for years 1-25 of the TIF Exemption, the Rebate Payments will not exceed 52% of the Service Payments. The Residual Service Payments may be used by the City for such purposes as are authorized in the TIF Ordinance and this Agreement, and for any other lawful purpose.

(B) Developer acknowledges and agrees that:

(i) Developer will not receive any Rebate Payments other than with respect to Excess Service Payments for years falling within the applicable period of the TIF Exemption that are actually made in accordance with the Service Agreement and are actually received by the City;

(ii) Notwithstanding anything in this Agreement or any other Project Document to the contrary, (a) Developer shall have no right or standing to dispute or contest the City's use of the Residual Service Payments, and Developer hereby expressly waives any such right or standing, (b) as it respects Developer, the City may use the Residual Service Payments in any manner whatsoever, and (c) as it respects Developer, any description of what the City may or may not do with the Residual Service Payments, including any description in this Agreement and/or the TIF Ordinance, is for informational purposes only and is not enforceable by Developer at law or in equity, whether as a taxpayer, as a party to this Agreement, or otherwise;

(iii) If at any time during the TIF Exemption and after completion of the construction of the Project, Developer shall cease to continuously use, operate, manage, or perpetually maintain an approximately 109-room hotel, with appropriate ancillary services provided by a hotel, in accordance with the Quality Standards (as defined below), or any replacement use approved by the City (as specified below) at the Property (excepting a Temporary Closure (as defined below)), then Developer shall not be entitled to Rebate Payments at any time during which such operations have ceased, and the City may retain all or a portion of such Rebate Payments as Residual Service Payments. A Temporary Closure shall not be deemed a cessation of continuous operations at the Property. If operations cease for any portion of a calendar year, then the parties shall prorate by day the amount of the Rebate Payment that Developer is entitled to receive. In the event that Developer seeks to change the use of the Property during the TIF Exemption from a hotel to another use, Developer shall first propose such change in use to the City and must receive its prior written approval of such replacement use in order to maintain the rights to receive the Rebate Payments hereunder, which consent shall be granted in the City's sole and absolute discretion; the City may make such approval subject to such conditions as it deems appropriate; and such use shall be otherwise in accordance with any all applicable laws and regulations. As used in this Agreement, (a) "**Quality Standards**" shall mean performance benchmarks and hospitality industry standards equal to or exceeding a hotel rated in the upper midscale class segment, such as the Home2 Suites brand or reasonable equivalent brand. For purposes of determining an acceptable alternative brand, any brand within the "upper midscale" category or a higher category shall be acceptable, as determined by STR, Inc., a division of CoStar Group, Inc. (if STR, Inc. ceases to exist, ceases to publish hotel class segment ratings, or the parties no longer deem STR, Inc. suitable for the purpose identified herein, then the parties shall mutually agree upon a reputable replacement hospitality industry research and benchmarking organization to replace STR, Inc.); and (b) a "**Temporary Closure**" shall mean a period in which the hotel at the Property is closed or partially closed to the public due to condemnation, casualty, war or civil disorder, acts of terrorism, acts of God, any declared state of emergency or public health emergency, or other matters outside the reasonable control of Developer, or in order to undergo material renovations, updating, or addressing maintenance issues, with such closure lasting no longer than 180 days, unless otherwise pre-approved by the City in writing or otherwise outside of the

reasonable control of Developer and required under any applicable law, regulations, or governmental order;

(iv) Except for Temporary Closures, so long as a hotel is operated at the Property in accordance with the Quality Standards during the TIF Exemption, and as a condition of Developer's right to receive Rebate Payments, Developer shall at all times operate and maintain (or cause others to operate and maintain) the hotel at the Property in accordance with the Quality Standards. If in the City's reasonable discretion, other than for a Temporary Closure, Developer fails to maintain and operate a hotel on the Project Site in accordance with the Quality Standards, then the City may retain all or a portion of the Rebate Payments as Residual Service Payments; and

(v) The Rebate Payments are intended to be paid to the owner of the Property to support the operation of the Project; therefore, if at any time Developer sells the Property, as a condition for continued payment by the City of the Rebate Payments, Developer shall, in conjunction with conveyance of the Property, assign any and all rights to receipt of the Rebate Payments under this Agreement or any other Project Documents to the conveyee of the Property. Until evidence of such assignment is provided to the City, the City may retain all or a portion of any such Rebate Payments as Residual Service Payments.

For the avoidance of doubt, nothing in this Section 5(B) shall be construed as relieving Developer of its obligations to make Service Payments in accordance with other terms of this Agreement.

(C) Timing of Rebate Payments. The City shall endeavor to make each applicable Rebate Payment as soon as is practicable upon receipt of the proceeds of each Service Payment (which the City acknowledges will generally occur not later than 45 business days following its receipt of the settlement pertaining to such Service Payment from the Hamilton County, Ohio Treasurer).

(D) No Other City Assistance. Except for the City's agreement to provide the Rebate Payments as described in this Agreement and the Service Agreement and the potential conveyance of the Outdoor Easement to Developer, the City shall not be responsible for any costs associated with the Project and Developer agrees that it shall not request or expect to receive any additional funding, real estate tax abatements, or income tax credits or other financial assistance from the City in connection with the Project in the future, either for itself, for the benefit of the tenants or other occupants of the Property, or for the benefit of any other third party.

(E) Termination in the Event of Alternative Project. In the event that Developer does not receive financing for the Project and the TIF Ordinance or Easement Ordinance (as defined below) has not been passed by City Council, then no later than November 1, 2024, Developer may present a detailed alternative development proposal for the Property to the City for its review and approval (the "**Proposed Alternative Project**"). The Proposed Alternative Project shall be a similar in quality to the proposed Project. When submitting a Proposed Alternative Project to the City, Developer shall include a site plan, budget, scope of work, evidence of financing, any requests for financial assistance from the City (if any), and such other materials as the City may require for its review of the Proposed Alternative Project. Upon receipt of a Proposed Alternative Project, the City shall have 20 business days to complete its review (the "**City Review Period**"). If the City determines that the Proposed Alternative Project is feasible and desirable, then the City will provide Developer written notice within the City Review Period accepting such Proposed Alternative Project, and the City and Developer will work in good faith to either amend or terminate this Agreement, and, if applicable, enter into a new agreement pertaining to the Proposed Alternative Project, all on such terms and conditions that are acceptable to the City and Developer. Such amendments or new agreements may be subject to additional approvals by City Council and City Planning Commission, if applicable. If the City does not believe that the Proposed Alternative Project is feasible or desirable, then the City will provide Developer with written feedback during the City Review Period on how to improve the Proposed Alternative Project. No later than the date that is 20 business days after receipt of the City's written feedback, the Developer will either (i) proceed with the Project as described herein or (ii) submit a revised Proposed Alternative Project to the City incorporating all of the City's feedback. In the event that the City does not respond to a Proposed Alternative Project during the City Review Period, then Developer shall not be deemed to be in default of this Agreement and either

party may terminate this Agreement pursuant to this Section. For the avoidance of doubt, this Section 4(E) will have no further force or effect upon City Council's passage of the TIF Ordinance.

5. INSURANCE; INDEMNITY.

(A) Insurance during Construction. From the time that construction associated with the Project commences, until such time as all construction work associated with the Project has been completed, Developer shall maintain, or cause to be maintained, the following insurance: (i) Commercial General Liability insurance of at least \$5,000,000 per occurrence, combined single limit/\$5,000,000 aggregate, naming the City as an additional insured with respect to the Project, (ii) builder's risk insurance in the amount of 100% of the value of the improvements constructed as part of the Project, (iii) worker's compensation insurance in such amount as required by law, (iv) all insurance as may be required by Developer's construction lenders, and (v) such other insurance as may be reasonably be required by the City. Developer's insurance policies shall (a) be written in standard form by companies of recognized responsibility and credit reasonably acceptable to the City, that are authorized to do business in Ohio, and that have an A.M. Best rating of A VII or better, and (b) provide that they may not be canceled or modified without at least 30 days' prior written notice to the City. Prior to commencement of construction of the Project, Developer shall send proof of all such insurance to the City at 805 Central Avenue, Suite 700, Cincinnati, Ohio 45202, Attention: Monitoring and Compliance Division, or such other address as may be specified by the City from time to time; *provided* that if the City requests an additional insured endorsement with respect to the Commercial General Liability insurance described above, Developer shall have 6 months following the date of the City's request to obtain such an endorsement from its insurer and provide the original endorsement to the City.

(B) Waiver of Subrogation. Developer hereby waives all claims and rights of recovery, and on behalf of Developer's insurers, rights of subrogation, against the City, its employees, agents, contractors, and subcontractors with respect to any and all damage to or loss of property that is covered or that would ordinarily be covered by the insurance required under this Agreement to be maintained by Developer, even if such loss or damage arises from the negligence of the City, its employees, agents, contractors, or subcontractors; it being the agreement of the parties that Developer shall at all times protect itself against such loss or damage by maintaining adequate insurance. Developer shall cause its property insurance policies to include a waiver of subrogation provision consistent with the foregoing waiver.

(C) Indemnity. Notwithstanding anything in this Agreement to the contrary, as a material inducement to the City to enter into this Agreement, (i) Developer shall defend, indemnify, and hold the City, its officers, council members, employees, and agents (collectively, the "**Indemnified Parties**") harmless from and against any and all Claims (as defined below) suffered or incurred by or asserted against the Indemnified Parties as a result of or arising from the acts of Developer and its agents, employees, contractors, subcontractors, licensees, invitees, or anyone else acting at its request in connection with the Project; and (ii) Developer shall defend, indemnify, and hold the Indemnified Parties harmless from and against any and all Claims as a result of or arising from the City's involvement in the Initial Conveyance and the City Conveyance, including the City's ownership of the Property during the period between the Initial Conveyance and the City Conveyance. Further, Developer shall cause Guarantor to execute an Indemnity Agreement in a form acceptable to the City prior to Closing (the "**Indemnity Agreement**") whereby Guarantor agrees to defend, indemnify, and hold the Indemnified Parties harmless with respect to Claims described in the preceding clause (ii). The obligations of Developer under this paragraph shall survive termination of the Agreement with respect to Claims suffered, incurred, asserted, or arising prior to the date of termination. As used herein, "**Claims**" means, collectively, any and all actions, suits, claims, losses, costs (including, without limitation, attorneys' fees), demands, judgments, liability, and damages.

6. DEFAULT; REMEDIES.

(A) Default. The occurrence of any of the following shall be an "**event of default**" under this Agreement:

(i) Prior to the expiration of the TIF Exemption:

(a) the dissolution of Developer or Guarantor (during the term of the Completion Guaranty), the filing of any bankruptcy or insolvency proceedings by Developer or Guarantor (during the term of the Completion Guaranty), or the making by Developer or Guarantor (during the term of the Completion Guaranty) of an assignment for the benefit of creditors; or

(b) the filing of any bankruptcy or insolvency proceedings by or against Developer or Guarantor (during the term of the Completion Guaranty), the appointment of a receiver (temporary or permanent) for any such entity, the attachment of, levy upon, or seizure by legal process of any property of any such entity, or the insolvency of any such entity, unless such appointment, attachment, levy, seizure, or insolvency is cured, dismissed, or otherwise resolved to the City's satisfaction within 60 days following the date thereof; or

(ii) The occurrence of a Specified Default (as defined below), or a failure of Developer to perform or observe any obligation, duty, or responsibility under this Agreement or any other Project Document (provided that a failure of Guarantor to perform under the Completion Guaranty or the Indemnity Agreement shall be deemed a failure of Developer to perform under this Agreement), and failure by the defaulting party to correct such default within 30 days after the receipt by Developer of written notice thereof from the City (the "**Cure Period**"), other than a Payment Default (as described below), in which case there shall be a Cure Period of 5 business days after the defaulting party's receipt of written notice thereof from the City; *provided, however*, that if the nature of the default (other than a Payment Default) is such that it cannot reasonably be cured during the Cure Period, Developer shall not be in default under this Agreement so long as the defaulting party commences to cure the default within such Cure Period and thereafter diligently completes such cure within 60 days after receipt of the City's initial notice of default. Notwithstanding the foregoing, if Developer's failure to perform or observe any obligation, duty, or responsibility under this Agreement creates a dangerous condition or otherwise constitutes an emergency as determined by the City in good faith, an event of default shall be deemed to have occurred if the defaulting party fails to take reasonable corrective action immediately upon discovering such dangerous condition or emergency. As used in this section, "**Specified Default**" means the occurrence of any of the following:

- (a) Payment Default. Any Service Payment is not made when due under the Service Agreement, subject to the 5-day Cure Period described above (a "**Payment Default**"). Developer acknowledges that time is of the essence with respect to the making of each Service Payment and that delays in the making of a Service Payment may result in a delay in the City's ability to make Rebate Payments.
- (b) Development Default. Developer (1) fails to comply with Section 3 of this Agreement or (2) abandons the Project, including, without limitation, through vacating, demolishing, and/or abandoning the Project or the Property or failing to maintain the Property in accordance with the Quality Standards.
- (c) Misrepresentation. Any representation, warranty, or certification of Developer or Guarantor made in connection with this Agreement, including, without limitation, any of the Balanced Development Representations, or any other Project Document, shall prove to have been false or materially misleading when made.

(B) Remedies. Upon the occurrence of an event of default under this Agreement which is not cured or corrected within any applicable Cure Period, the City shall be entitled to (i) terminate this Agreement with respect to a defaulting party by giving the defaulting party written notice thereof; (ii) take such actions in the way of "self-help" as the City determines to be reasonably necessary or appropriate to cure or lessen the impact of such event of default, all at the sole expense of the defaulting party; (iii) withhold Rebate Payments until such default or defaults are cured (it being acknowledged and agreed by Developer that any Rebate Payments withheld by the City pursuant to this clause for a period longer than

12 months shall be deemed forfeit by Developer and the City shall be entitled to retain such Service Payments and to treat them as Residual Service Payments with respect to which Developer has no right or interest and which the City may use for any lawful purpose); and (iv) exercise any and all other rights and remedies under this Agreement or available at law or in equity, including, without limitation, pursuing an action for specific performance. The defaulting party shall be liable for all costs and damages, including, without limitation, attorneys' fees, suffered or incurred by the City as a result of a default or event of default under this Agreement or the City's termination of this Agreement. The failure of the City to insist upon the strict performance of any covenant or duty, or to pursue any remedy, under this Agreement or any other Project Document shall not constitute a waiver of the breach of such covenant or of such remedy.

7. NOTICES. All notices given by the parties hereunder shall be deemed given if personally delivered, or delivered by Federal Express, UPS or other recognized overnight courier, or mailed by U.S. registered or certified mail, postage prepaid, return receipt requested, addressed to the parties at their addresses below or at such other addresses as either party may designate by notice to the other party given in the manner prescribed herein. Notices shall be deemed given on the date of receipt.

To the City:
City Manager
City of Cincinnati
801 Plum Street
Cincinnati, Ohio 45202

To Developer:
616 Race LLC
8825 Chapel Square Drive, Suite A
Cincinnati, Ohio 45249

with a copy to:

with a copy to:

Director, Dept. of Community and
Economic Development
City of Cincinnati
805 Central Avenue, Suite 700
Cincinnati, Ohio 45202

Stagnaro, Saba & Patterson Co., LPA
2623 Erie Ave.
Cincinnati, OH 45208
Attn: William J. Patterson, Esq.

Notwithstanding anything in this Agreement to the contrary, if Developer sends a notice to the City alleging that the City is in default under this Agreement or any other Project Document, Developer shall simultaneously send a copy of such notice by U.S. certified mail to: City Solicitor, City of Cincinnati, 801 Plum Street, Room 214, Cincinnati, Ohio 45202.

8. REPRESENTATIONS, WARRANTIES, AND COVENANTS. Developer makes the following representations, warranties, and covenants to the City:

(A) Developer is a limited liability partnership duly organized and validly existing under the laws of the State of Ohio, is qualified to conduct business in the State of Ohio, has properly filed all certificates and reports required to be filed by it in order to have the right to conduct its business under the laws of the State of Ohio, and is not in violation of any laws of the State of Ohio relevant to the transactions contemplated by this Agreement or any other Project Document to which it is a party.

(B) Developer has full power and authority to execute and deliver this Agreement and every other Project Document to which it is a party or will be a party and to carry out the transactions provided for herein and therein. This Agreement and each other Project Document to which Developer is a party has by proper action been duly authorized, executed, and delivered by Developer and all actions necessary have been taken to constitute this Agreement and the other Project Documents to which Developer is a party, when executed and delivered, valid and binding obligations of Developer.

(C) The execution, delivery, and performance by Developer of this Agreement and each other Project Document to which it is a party and the consummation of the transactions contemplated hereby will not violate any applicable laws, or any writ or decree of any court or governmental instrumentality, or the organizational documents of Developer, or any mortgage, indenture, contract, agreement, or other undertaking to which Developer is a party or which purports to be binding upon Developer or upon any of

its assets, nor is Developer in violation or default of any of the foregoing in any manner relevant to the transactions contemplated by this Agreement or which may in any way affect Developer's ability to perform its obligations under this Agreement or the other Project Documents.

(D) There are no actions, suits, proceedings, or governmental investigations pending, or to the knowledge of Developer, threatened against or affecting it, at law or in equity or before or by any governmental authority that, if determined adversely to it, would impair its financial condition or its ability to perform its obligations under this Agreement or any other Project Documents.

(E) Developer shall give prompt notice in writing to the City of the occurrence or existence, during the TIF Exemption, of any litigation, labor dispute, or governmental proceeding or investigation affecting it that could reasonably be expected to interfere substantially with its normal operations or materially and adversely affect its financial condition or its completion of the Project.

(F) The statements made in the documentation provided by Developer to the City that are descriptive of Developer, the financial assets of Guarantor, or the Project (including, without limitation, the Balanced Development Representations) have been reviewed by Developer and do not contain any untrue statement of a material fact or omit to state any material fact necessary in order to make such statements, in light of the circumstances under which they were made, not misleading, or, if any such documentation contained such a misleading or untrue omission or statement, further documentation correcting such omissions or statements was subsequently provided to the City prior to Developer's execution of this Agreement. With reference to CMC Section 301-20 (*Delinquencies in Accounts Receivable and Loans Receivable; Policy*), to the best of Developer's knowledge neither it nor any of its affiliates are in breach of any of its obligations to the City under any existing agreements with the City nor does it nor any of its affiliates owe any fines, penalties, judgment awards, or any other amounts to the City.

9. REPORTING REQUIREMENTS.

(A) Submission of Records and Reports; Records Retention. Developer shall collect, maintain, and furnish to the City upon the City's request such accounting, financial, business, administrative, operational and other reports, records, statements, and information as may be requested by the City pertaining to Developer, the Project, or this Agreement, including, without limitation, audited financial statements, bank statements, income tax returns, information pertinent to the determination of finances of the Project, and such reports and information as may be required for compliance with programs and projects funded by the City, Hamilton County, the State of Ohio, or any federal agency (collectively, "**Records and Reports**"). All Records and Reports compiled by Developer and furnished to the City shall be in such form as the City may from time to time require. Developer shall retain all Records and Reports until the date that is 3 years following expiration of the TIF Exemption, or such later time as may be required by applicable law (the "**Retention Termination Date**").

(B) City's Right to Inspect and Audit. During construction of the Project and thereafter until the Retention Termination Date, Developer shall permit the City and its designees and auditors to have full access to and to inspect and audit Developer's Records and Reports. In the event any such inspection or audit discloses a material discrepancy with information previously provided by Developer to the City, Developer shall reimburse the City for its out-of-pocket costs associated with such inspection or audit.

(C) Annual Jobs & Investment Report. Developer shall provide an annual report, in a form specified by DCED from time to time, regarding total real property, personal property, and employment, including jobs created, at the Property.

10. GENERAL PROVISIONS.

(A) Assignment; Change of Control.

(i) Developer shall not, without the prior written consent of the City, (a) assign its rights or interests under this Agreement, or (b) permit a Change of Control (as defined below); *provided,*

however, that the City hereby consents to Developer's collateral assignment of its rights under this Agreement to the lender(s) that are providing financing to Developer for the Project (including any mezzanine lender pledges); provided, further, that the City hereby consents to the Developer's lease of the entire Property to a to-be-formed master tenant pursuant to a master lease agreement (the "**HTC Lease**") for purposes of passing through federal and state of Ohio historic tax credits that are available to the Project to an investor so long as (i) Keystone remains in charge of management of the day-to-day affairs of the hotel at the Property pursuant to the Management Agreement, and (ii) an affiliate of Developer occupies the Property pursuant to a sublease agreement (the "**Sublease**") and uses and operates the Property as a hotel as required by this Agreement. For the avoidance of doubt, the City's consent to the HTC Lease, the Sublease, and the Management Agreement (i) in no way relieves Developer of any obligations or liabilities to the City and (ii) in no way shall be deemed to be consent of the City with respect to any other conveyances of interests in the Property, assignments, or transfers.

(ii) Solely for the purposes of this Section 10(A), "**Change of Control**" means a change in the ownership of Developer such that Guarantor or any entity directly or indirectly controlled by, or under common control with Guarantor has less than a 50.1% direct or indirect voting interest in Developer and lack the power to direct or cause the direction of the management and policies of Developer, whether through the ownership of ownership interests in Developer, by contract, or otherwise; provided that in no event shall the entering of the HTC Lease, the Sublease, or the Management Agreement be deemed to be a Change of Control so long as Keystone remains an affiliate of or under common control with Guarantor and remains in charge of management of the day-to-day affairs of the hotel at the Property.

(B) Entire Agreement; Conflicting Provisions. This Agreement and the other Project Documents contain the entire agreement between the parties with respect to the subject matter hereof and supersede any and all prior discussions, negotiations, representations, or agreements, written or oral, between them respecting the subject matter hereof. In the event that any of the provisions of this Agreement purporting to describe specific provisions of other Project Documents are in conflict with the specific provisions of such other agreements, the provisions of such other agreements shall control.

(C) Amendments and Waivers. The provisions of this Agreement may be amended, waived, or otherwise modified only by a written agreement signed by the parties.

(D) Governing Law. This Agreement shall be governed by and construed in accordance with the laws of the City of Cincinnati and the State of Ohio. All actions regarding this Agreement shall be brought in the Hamilton County Court of Common Pleas, and Developer agrees that venue in such court is proper. Each party hereby waives trial by jury with respect to any and all disputes arising under this Agreement.

(E) Binding Effect. This Agreement shall be binding upon and shall inure to the benefit of and be enforceable by and against the parties and their respective successors and permitted assigns.

(F) Captions. The captions of the various sections and paragraphs of this Agreement are not part of the context hereof and are only guides to assist in locating such sections and paragraphs and shall be ignored in construing this Agreement.

(G) Severability. If any part of this Agreement is held by a court of law to be void, illegal, or unenforceable, such part shall be deemed severed from this Agreement, and the balance of this Agreement shall remain in full force and effect.

(H) No Recording. This Agreement shall not be recorded in the Hamilton County Recorder's Office.

(I) Time. Time is of the essence with respect to the performance by the parties of their respective obligations under this Agreement.

(J) No Third-Party Beneficiaries. The parties hereby agree that no third-party beneficiary rights are intended to be created by this Agreement.

(K) No Brokers. Developer represents to the City that Developer has not dealt with a real estate broker, salesperson, or other person who might claim entitlement to a fee or other compensation from the City as a result of the parties' execution of this Agreement.

(L) Official Capacity. All representations, warranties, covenants, agreements, and obligations of the City under this Agreement shall be effective to the extent authorized and permitted by applicable law. None of those representations, warranties, covenants, agreements, or obligations shall be deemed to be a representation, warranty, covenant, agreement, or obligation of any present or future officer, agent, employee, or attorney of the City in other than his or her official capacity.

(M) Applicable Laws. Developer shall obtain all necessary permits, licenses, and other governmental approvals and shall comply with all applicable federal, state, and local laws, codes, ordinances, and other governmental requirements applicable to the Project, including any of the laws and regulations described on Exhibit F hereto that are applicable to the Project. Notwithstanding anything in this Agreement to the contrary, by executing this Agreement, the City makes no representations or other assurances to any party that Developer will be able to obtain whatever variances, permits, or other approvals from B&I, DOTE, City Planning Commission, or City Council that may be required in connection with the Project.

(N) Counterparts and Electronic Signatures. The parties may execute this Agreement in multiple counterparts, each of which shall be deemed an original, and all of which shall, collectively, constitute only one agreement. The signatures of all parties need not appear on the same counterpart, and delivery of an executed counterpart signature page by facsimile or electronic mail is as effective as executing and delivering this Agreement in the presence of the other parties. This Agreement may be executed and delivered by electronic signature; any original signatures that are initially delivered electronically shall be physically delivered as soon as reasonably possible.

(O) Contingency for Legislative Authorization from City Council. Notwithstanding anything in this Agreement to the contrary, the City shall not be in breach of this Agreement and shall not be required to provide the Rebate Payments described in this Agreement if for any reason City Council does not pass any and all necessary legislation for the Project, including, without limitation, the TIF Ordinance and the legislation approving the Outdoor Easement (the "**Easement Ordinance**"). If all necessary legislative authorizations are not obtained, the City may terminate this Agreement by giving written notice thereof to Developer, whereupon neither party shall thereafter have any rights or obligations under this Agreement. Notwithstanding anything in this Agreement to the contrary, this Agreement and any and all obligations of the parties except those that expressly survive termination shall automatically terminate and cease if the TIF Ordinance or the Easement Ordinance is not passed by City Council by December 31, 2024.

(P) Recognition of City Support. In connection with the construction and opening of the Project, Developer shall acknowledge the support of the City with respect to the Project in all printed promotional materials (including, without limitation, informational releases, pamphlets and brochures, construction signs, project and identification signage and stationery) and any publicity (including, without limitation, materials appearing on the Internet, television, cable television, radio, or in the press or any other printed media) relating to the Project. In identifying the City as a Project partner, Developer shall use either the phrase "Project Assistance by the City of Cincinnati" or a City of Cincinnati logotype or other form of acknowledgement that has been approved in advance in writing by the City.

(Q) TIF-Backed Bonds. Developer acknowledges and agrees that in the event that Developer decides to pursue bond financing backed by the Rebate Payments, then an amendment to this Agreement and additional legislation is necessary prior to the City agreeing to such use of the Rebate Payments. Such bonds would contain customary provisions used by the City in other tax increment bond financings, including, without limitation, provisions providing for the payment from bond proceeds of the costs of City's outside counsel employed in connection with any such issuance. Subject to such future approvals, such bond financing would likely entail a pledge by the City of the Service Payments actually

received by the City (i.e., a pledge of the Rebate Payments that would have otherwise gone to Developer under this Agreement) towards bonds and the proceeds of which would be used for the purpose of constructing the Project. The parties acknowledge that modifications to the Service Agreement may also be necessary to allow for the issuance and sale of any TIF-backed bonds and agree to work in good faith to make any necessary modifications to the Service Agreement.

11. FEES AND EXPENSES.

(A) Initial Administrative Fee. Prior to the execution of this Agreement, Developer shall have paid a non-refundable administrative fee of \$15,000 to cover the City's out-of-pocket and administrative costs and expenses in establishing the TIF Exemption, preparing this Agreement and other documents relating hereto, and effecting the transactions contemplated hereby.

(B) Monitoring and Servicing Fee; Out-of-Pocket Expenses. The City shall withhold and retain from the Service Payments an annual monitoring and servicing fee equal to the greater of (i) 1.0% of the Service Payments paid (or due, if unpaid) with respect to the Property the prior calendar year, and (ii) the documented, reasonable out-of-pocket fees, costs, charges, and expenses incurred by the City in connection with the negotiation, preparation, execution, delivery, and performance of this Agreement and the other Project Documents, together with the City's monitoring and servicing costs and expenses with respect to the transactions contemplated thereby. To the extent Service Payments are not made or are ineligible to be made under the Service Agreement for any reason, the City may elect to require Developer to pay such monitoring and servicing fees in another manner. This Section 11(B) shall terminate and cease to be effective in the event the Rebate Payments permanently cease to be payable in accordance with the provisions of this Agreement and the other Project Documents. For the avoidance of doubt, suspension (without permanent termination) of the making of Rebate Payments shall not cause the provisions of this Section 11(B) to cease or be modified in any way (either permanently or during the period of any such suspension). The fees described in this Section 11(B) are not refundable once withheld by the City or otherwise paid.

- 12. EXHIBITS.** The following exhibits are attached hereto and made a part hereof:
Exhibit A - Site Plan; Legal Description
Exhibit B - Statement of Work, Budget, and Sources of Funds
Exhibit C - Form of Service Agreement
Exhibit D-1 - Form of Quitclaim Deed - Initial Conveyance
Exhibit D-2 - Form of Quitclaim Deed - City Conveyance
Exhibit E - Form of Completion Guaranty
Exhibit F - Additional Requirements (incl. Addendum I - Prevailing Wage Determination)

SIGNATURES ON FOLLOWING PAGE

Executed by the entities below on the dates indicated below their signatures, effective as of the later of such dates (the **"Effective Date"**).

CITY OF CINCINNATI,
an Ohio municipal corporation

By: _____
Sheryl M.M. Long, City Manager

Date: _____, 2024

616 RACE LLC,
an Ohio limited liability company

By: _____

Printed name: _____

Title: _____

Date: _____, 2024

Approved as to Form:

Assistant City Solicitor

Certified Date: _____

Fund/Code: _____

Amount: _____

By: _____
Karen Alder, City Finance Director

Exhibit A
to Development Agreement

Site Plan; Legal Description

Site Plan

TO BE ATTACHED

Legal Description

Property Address: 614-616 Race Street, Cincinnati, Ohio 45202

Auditor's Parcel No.: 077-0002-0013-00

TO BE ATTACHED

Exhibit B
to Development Agreement

Statement of Work, Budget, and Sources of Funds

I. **STATEMENT OF WORK**

Developer will renovate an existing 4-story vacant building and construct two additional floors, for an approximately 84,281 square foot commercial space, consisting of a Home 2 Suites by Hilton Hotel with 109 rooms.

II. **BUDGET**

Acquisition & Pre-Development Costs	\$3,250,000
Hard Construction Costs	\$18,100,000
Furniture, Fixtures, Equipment, & Initial Operating Costs	\$2,476,575
Soft Costs	\$2,959,000
Developer's Fee & Carried Interest	\$1,323,145
TOTAL	\$28,108,720

III. **SOURCES OF FUNDS**

Primary Bank Loan	\$21,081,540
Equity	\$7,027,180
TOTAL	\$28,108,720

Exhibit C
to Development Agreement

Form of Service Agreement

SEE ATTACHED

----- space above for Hamilton County Recorder -----

Contract No.: _____

SERVICE AGREEMENT
(616 Race Street Redevelopment)

This Service Agreement (“**Agreement**”) is made and entered into as of the ____ day of _____, 2024 (the “**Effective Date**”), by and between the **CITY OF CINCINNATI**, an Ohio municipal corporation, 801 Plum Street, Cincinnati, Ohio 45202 (the “**City**”), and **616 RACE LLC**, an Ohio limited liability company (the “**Owner**”).

Recitals:

A. Owner is the fee owner of the property located at 614-616 Race Street, Cincinnati, Ohio 45202, as described more fully in Exhibit A (Legal Description) hereto (the “**Property**”).

B. As described in the *Development Agreement* between the City and Owner dated [____] (the “**Development Agreement**”), Owner intends to make or cause to be made certain improvements to the Property (as described in the Development Agreement, the “**Project**”). Capitalized terms used, but not defined, herein shall have the meanings ascribed thereto in the Development Agreement.

C. The City believes that the Project is in the vital and best interests of the City and the health, safety, and welfare of its residents, and in accordance with the public purposes and provisions of applicable federal, state and local laws and requirements.

D. In furtherance of the public purpose and to facilitate the Project, and as authorized by Ordinance No. [____], passed by Cincinnati City Council on [____] (the “**TIF Ordinance**”), the City has established a so-called project-based TIF Exemption for the Property under Section 5709.41, Ohio Revised Code (“**ORC**”).

E. Under the TIF Ordinance and in accordance with ORC Section 5709.41, et seq. and this Agreement, the increase in the assessed value of the Property shall be exempt from real property taxes, and all present and future owners of the Property, or any portion thereof, shall be required to make service payments in lieu of taxes, in semi-annual installments, in an amount equal to the amount of real property taxes that would have been paid on the Exempt Improvements (as defined below) had an exemption not been granted (“**Service Payments**”).

F. The Property is located within the Cincinnati City School District, and the Board of Education of the Cincinnati City School District (“**Board of Education**”) has, by resolution adopted on April 27, 2020, and by a *Tax Incentive Agreement* with the City effective as of April 28, 2020, approved an exemption of 100% of the assessed valuation of the Exempt Improvements (as defined below) for thirty (30) years (subject to the obligation of the City to make payments to the Board of Education as provided

in Section II.C.2 of that agreement, which payments are referred to herein as the “**School Board Payments**”).

G. As provided in the Development Agreement, the City intends to use the Service Payments to (i) pay any fees retained by the Hamilton County Auditor with respect to the Service Payments, (ii) make the School Board Payments, (iii) cover certain fees to the City provided in the Development Agreement, (iv) retain the VTICA Contribution, if applicable, (v) provide Owner with certain Rebate Payments to promote the economic viability of the Project and thereby contributing to the urban redevelopment of Central Business District, (vi) retain the Residual Service Payments to further urban redevelopment throughout the corporate boundaries of the City of Cincinnati, and (vii) support such urban redevelopment purposes as are provided in the Development Agreement and the TIF Ordinance, in each case in the amounts identified herein and subject to the terms hereof.

H. The parties intend that this Agreement, as amended and supplemented from time to time, shall constitute the agreement contemplated by ORC Section 5709.41, et seq. and shall define the respective rights and obligations of Owner and the City with respect to the Service Payments.

I. Execution of this Agreement has been authorized by City Council by the TIF Ordinance.

NOW, THEREFORE, in consideration of the premises and the mutual covenants hereinafter contained, the City and Owner agree as follows:

1. COMPLETION OF PROJECT. Owner shall cause the Project to be completed in accordance with the terms of the Development Agreement. Failure to use and operate the Project in the manner contemplated by the Development Agreement shall not relieve Owner of its obligations to make Service Payments as required hereunder. Owner shall use, develop, maintain, operate, and redevelop the Project in accordance with the Development Agreement throughout the Exemption Period (as hereinafter defined), and Owner shall comply with the terms of the Development Agreement in all respects.

2. OBLIGATION TO MAKE SERVICE PAYMENTS.

A. Declaration that Exempt Improvements are a Public Purpose. The City hereby confirms that, pursuant to ORC Section 5709.41, et seq. and the TIF Ordinance, the City declared that 100% of the increase in the assessed value of the improvements (as defined in ORC Section 5709.41) to the Property, including the Project (collectively, the “**Exempt Improvements**”) constitutes a public purpose and is entitled to exemption from real property taxes for a period of thirty (30) years for a period currently expected to commence in tax year 2025, subject to the terms of the TIF Ordinance (the “**Exemption Period**”).

B. Commencement of Service Payments. Owner shall commence paying Service Payments no later than the final date for payment (the last day that payment can be made without penalty or interest) of the first semi-annual installment of real property taxes in the first calendar year after the first tax year in which any Exempt Improvements appear on the Hamilton County Auditor’s tax duplicate. (For example, if any Exempt Improvements first appear on the tax rolls on January 1, 2025, Owner’s first semi-annual tax payment will be for the tax bill for the First Half 2025, which will become due and payable to the County Treasurer on or about January 2026.) Owner shall pay Service Payments in semi-annual installments (i) on the earlier of such final date for payment of the first semi-annual installment of real property taxes, or February 1, in each year, and (ii) on the earlier of such final date for payment of the second semi-annual installment of real property taxes, or August 1, in each year (each such final date for payment is referred to herein as a “**Service Payment Date**”). Owner shall continue to make Service Payments until such time as Owner has paid the final Service Payment applicable to the Exemption Period.

C. Amount of Service Payments. Each semi-annual Service Payment shall be paid to the Hamilton County Treasurer in an amount equal to one-half (½) of the annual amount that would have been payable in that year as real property taxes with respect to the Exempt Improvements had an

exemption not been granted. However, if after the first semi-annual Service Payment has been determined and paid, the total annual amount for that year is adjusted by the taxing authorities, the amount of the second semi-annual Service Payment shall be adjusted accordingly. The Service Payments shall vary as the assessed value of the Exempt Improvements and the applicable tax rate vary from time to time.

D. Estimation. If, as of the date any Service Payment is due, the amount of the real property taxes that would have been payable on the Exempt Improvements (if not exempt) cannot be or has not been finally determined, the amount of such taxes shall be estimated by the Hamilton County Auditor or by the City (even though such taxes may be subject to contest, later determination, or adjustment because of revaluation of the Exempt Improvements) for the applicable tax year. If the sum of Service Payments so calculated and paid in any year is subsequently determined not to be equal to the total amount of real property taxes that would have been paid in that year with respect to the Exempt Improvements (if not exempt), Owner or the City shall promptly pay or repay any deficiency or excess, as appropriate, to the other within thirty (30) days after written demand; provided, however, that nothing in this sentence shall be construed to require the City to repay to Owner any amount that would reduce the total payments in any year to an amount less than the Service Payments required to be paid in that year.

E. Late Payment. If any Service Payment, or any installment thereof, is not paid when due, then, to the extent that Hamilton County does not impose a late fee or delinquency charge, Owner shall pay to the City, as a late payment charge, the amount of the charges for late payment of real property taxes, including penalty and interest, that would have been payable pursuant to ORC Section 323.121 on the delinquent amount. In addition, if Owner fails to make any Service Payment required hereunder, Owner shall pay, in addition to the Service Payment that Owner was required to pay and any late payment charges as stated above, such amount as is required to reimburse the City for all costs and other amounts (including without limitation attorneys' fees) paid or incurred by the City to enforce the Service Payment obligations against Owner or against the Property. Owner acknowledges that delays in the making of Service Payments may, among other things, result in delays in the City's ability to timely make Rebate Payments

3. APPLICATION OF SERVICE PAYMENTS.

A. Rebate Payments. Rebate Payments shall be made in the amounts described in, and subject to all terms and conditions of, the Development Agreement.

B. Timing of Rebate Payments. Rebate Payments shall be made at the times described in the Development Agreement.

C. Change in Use; Subdivision or Ownership by Multiple Legal Entities.

(i) Change in Use. Notwithstanding the foregoing, and without limiting any of the City's remedies under this Agreement, the Development Agreement, or any other Project Document, if the Project is no longer to be used for commercial purposes as a hotel (unless the City has otherwise agreed in accordance with the terms of this Agreement), the City shall no longer be obligated to make the Rebate Payments and the portion of the Service Payments which would otherwise have been applied to the Rebate Payments shall be deemed to be Residual Service Payments to which Owner is in no way entitled.

(ii) Subdivision or Ownership by Multiple Legal Entities. Without the City's prior written consent in the form of an amendment to this Agreement making such administrative and ministerial changes as may be deemed reasonably necessary by the City, title to the Property shall not be held by more than one legal entity at a time (it being acknowledged and agreed by the City that ownership of the fee title through one legal entity, which is itself owned by multiple entities, is not ownership of the fee title to the Property by multiple entities as contemplated hereby). The City will not unreasonably withhold its consent to such an amendment so long as the proposed amendment is otherwise consistent with this Agreement, the Development Agreement, or any other Project Document. For the avoidance of doubt, the City shall be under no obligation to enter into such an amendment if Owner seeks to include

terms in such amendment that are unrelated or in addition to the division of ownership of the Property as described in this clause (ii); *provided, however*, that the City may include, as a term of such amendment, that the City will solely be required to provide notices or otherwise negotiate with one “owner” entity as an agent for others that may succeed to Owner and Owner’s rights hereunder. The City shall in no event be required to divide the Rebate Payments and pay portions of the Rebate Payments to various entities unless the City expressly agrees to do so in writing.

D. No Other Source. The City is in no way obligated under this Agreement or any other Project Document to provide Owner with any funds other than the Rebate Payments, nor is the City in any way obligated to provide the Rebate Payments from any source other than the Service Payments it actually receives with respect to the Exempt Improvements. Owner acknowledges and agrees that if the application of Service Payment proceeds to the Rebate Payments is deemed illegal or impermissible by a court of law following a non-appealable final adjudication thereof (it being agreed by the City that it shall not object to Owner’s participation, at Owner’s own expense, in any such legal proceedings), the Rebate Payments shall not be made and the portion of the Service Payments which would otherwise have been applied to the Rebate Payments shall be deemed to be Residual Service Payments to which Owner is in no way entitled. In such a circumstance, the City shall be under no obligation to provide compensation or reimbursement to Owner for the loss of the Rebate Payments or otherwise make equivalent payments to Owner from alternative sources.

4. PAYMENT OBLIGATIONS TO HAVE LIEN PRIORITY. To the extent permitted by law, the Service Payments shall be treated as a tax lien in the same manner as real property taxes and will have the same lien, rights and priority as all other real property taxes. Such a lien shall attach, and may be perfected, collected and enforced as provided by law, including enforcement by foreclosure upon such lien pursuant to the procedures and requirements of Ohio law relating to mortgages, liens, and delinquent real estate taxes. Owner hereby agrees that the obligation to make Service Payments shall have the same priority as the obligation to pay real estate taxes in the event of any bankruptcy or other like proceeding instituted by or against Owner. Owner hereby agrees not to contest the lien, rights or priority of the Service Payments with respect to the Exempt Improvements or the Property.

5. RECORDING; OBLIGATIONS TO RUN WITH THE LAND; ASSIGNMENT.

A. Recording. Promptly after the execution of this Agreement, Owner shall cause this Agreement to be recorded in the Hamilton County, Ohio Recorder’s Office, at its expense, prior to any mortgage, assignment or other conveyance of any part of the Project or the Property, and failure to do so shall constitute a default under this Agreement. Owner shall provide a recorded copy of this Agreement to the City within 5 business days after recording. All instruments of conveyance of the Project or the Property or Owner’s ownership of the same (or portions thereof) to subsequent mortgagees, successors, assigns or transferees shall be subject to this Agreement, and Owner shall cause all instruments of conveyance of interests in all or any portion of the Property to subsequent mortgagees, successors, lessees, assigns, or other transferees to be made expressly subject to this Agreement.

B. Covenants Running with the Land. Owner agrees that the obligation to perform and observe the agreements on Owner’s part contained herein shall be covenants running with the land and, in any event and without regard to technical classification or designation, legal or otherwise, shall be binding and enforceable by the City and against Owner and its successors-in-interest and transferees as owners from time to time of the fee simple interest in the Property, without regard to whether the City has at any time been, remains or is an owner of any land or interest therein to, or in favor of, which these covenants relate.

C. Obligations are Absolute and Unconditional. The obligation of Owner to make Service Payments under this Agreement will not be terminated for any cause including, without limitation, failure to commence or complete the Project; any acts or circumstances that may constitute failure of consideration, destruction of or damage to the Exempt Improvements; commercial frustration of purpose; or any change in the constitution, tax or other laws or judicial decisions or administrative rulings of or administrative actions by or under authority of the United States of America or of the State of Ohio or any political subdivision thereof.

6. PAYMENT OF TAXES; CONTESTS.

A. Payment of Taxes. With respect to real property taxes that are not exempted under this Agreement, Owner shall pay or cause to be paid, as the same become due (but subject to the 5 day Cure Period for Payment Defaults described in the Development Agreement), all such taxes, assessments, whether general or special, and governmental charges of any kind whatsoever that may at any time be lawfully assessed or levied against or with respect to the Property and/or the non-exempt improvements or any personal property or fixtures of Owner installed or brought thereon (including, without limitation, any taxes levied against Owner with respect to income or profits from operations at the Property and which, if not paid, may become or be made a lien on the Property or the Exempt Improvements). The Owner acknowledges that it, and not the City, is responsible for the payment of all utility and other charges incurred in the operation, maintenance, use and occupancy of the Property and Exempt Improvements.

B. Contests. Owner, its successors, assigns and transferees hereby agree that, during the term of this Agreement it will not seek any other real property tax exemption for the Exempt Improvements. Nothing in this Agreement is intended to prevent Owner, at its expense and in good faith, from applying for exemption of any non-exempt improvements, or contesting the amount or validity of any such taxes, assessments or other charges, including contesting the real estate valuation of the Property and Exempt Improvements. Nothing in this paragraph shall be construed to relieve Owner of the duty to make the Service Payments as required by this Agreement.

7. NOTICES. All notices or other communications under this Agreement shall be deemed given on receipt when personally delivered, or 48 hours after being mailed by U.S. registered or certified mail, postage prepaid, addressed to the City at 801 Plum Street, Cincinnati, OH 45202, Attention: City Manager, with a copy to the Director of the Department of Community and Economic Development, City of Cincinnati, 805 Central Avenue, Suite 700, Cincinnati, OH 45202; and to Owner at its address set forth in the introductory paragraph hereof. If Owner sends a notice to the City alleging that the City is in default under this Agreement, Owner shall simultaneously send a copy of such notice by U.S. certified mail to: City Solicitor, City of Cincinnati, 801 Plum Street, Room 214, Cincinnati, OH 45202. The City and Owner may, by notice given under this Agreement, designate any further or different addresses to which subsequent notices or other communications shall be sent.

8. COVENANTS AND REPRESENTATIONS. Owner represents that it is a duly organized and existing Ohio entity as identified in the introductory paragraph of this Agreement, that it is in good standing under the laws of the State of Ohio, and that it is qualified to do business in the State of Ohio. Owner covenants that it will remain in existence and so qualified as long as it is required to make Service Payments hereunder.

9. EXEMPTION APPLICATION. Owner or its representatives (as applicable) shall prepare, execute and (following the City's prior receipt of copies for review and approval in the City's sole and absolute discretion) file, in a timely fashion after the Effective Date, such applications, documents, and other information with the appropriate officials of the State of Ohio and Hamilton County, or other public body as may be required to effect and maintain during the Exemption Period as described in ORC Chapter 5709 the exemption from real property taxation as contemplated by said Chapter. Owner shall continuously use due diligence and employ commercially reasonable efforts to keep such exemption in force, not permitting the same to lapse or be suspended or revoked for any reason within Owner's control. In the event that subsequent to the allowance of such exemption, the same is at any time revoked or suspended due to the act or omission of Owner, Owner shall nevertheless continue to make Service Payments throughout the Exemption Period; *provided, however* that such Service Payments shall only be required during any period of revocation or suspension to the extent (and in the amounts) necessary to cover debt service and other financing costs related to any bonds the City has issued prior to the date of revocation or suspension of the exemption that are secured by the City to be repaid, in whole or in part, by the Service Payments (or such portion of the Service Payments as the City may be entitled to pledge as collateral or utilize for repayment of debt under the terms of this Agreement).

10. DEFAULTS AND REMEDIES. If Owner fails to make any Service Payment when due (but subject to the 5 day Cure Period for Payment Defaults described in the Development Agreement)

{00400150-4}

(time being of the essence), or if Owner fails to observe or perform any other obligation hereunder (including Owner's obligation to comply with the terms of the Development Agreement or any other Project Document) and such other non-payment failure continues for more than thirty (30) days after the City notifies Owner in writing thereof, the City shall be entitled to exercise and pursue any and all rights and remedies available to it hereunder, at law or in equity, including, without limitation, (i) foreclosing the lien created hereby, and (ii) terminating Owner's rights under this Agreement without modifying or abrogating Owner's obligation to make Service Payments; *provided, however*, that if the nature of the default (other than a Payment Default) is such that it cannot reasonably be cured during an applicable cure period, Owner shall not be in default under this Agreement so long as Owner commences to cure the default within such cure period and thereafter diligently completes such cure within sixty (60) days after Owner's receipt of the City's initial notice of default. Owner shall pay to the City upon demand an amount equal to all costs and damages suffered or incurred by the City in connection with such default, including, without limitation, attorneys' fees. Waiver by the City of any default shall not be deemed to extend to any subsequent or other default under this Agreement. All rights and remedies hereunder are cumulative.

11. DURATION OF AGREEMENT. This Agreement shall become effective on the Effective Date and, except with respect to those provisions expressly stated to survive the expiration of this Agreement, shall expire on the later of (i) the day following the date of payment of the final Rebate Payment to be made under the Development Agreement, and (ii) the day following the date of payment of the final Service Payment applicable to the Exemption Period. This Agreement shall survive any foreclosures, bankruptcy, or lien enforcement proceedings. Upon such expiration, the City shall deliver to Owner such documents and instruments as Owner may reasonably request to evidence such expiration.

12. TRUSTEE. Owner hereby acknowledges and agrees that the City may, following the Effective Date, enter into a trust agreement or other like agreement with a trustee selected by the City for the purposes of carrying out and/or administering some or all of the City's obligations under this Agreement, as determined by the City. If the City generally implements such an arrangement for transactions, such as those contemplated by this Agreement, involving tax increment financing under Ohio Revised Code Section 5709.41 or tax increment financing generally, then Owner agrees to (i) execute such documents or acknowledgments as may be reasonably required in order for the City to procure the services of such trustee, including, if applicable, a trust agreement, and (ii) pay the fees and expenses of the trustee (or, at the City's option, reimburse the City for the fees and expenses of the trustee paid by the City).

13. GENERAL PROVISIONS.

A. Counterparts and Electronic Signatures. This Agreement may be executed in several counterparts, each of which shall be regarded as an original and all of which shall constitute one and the same Agreement. This Agreement may be executed and delivered by electronic signature.

B. Captions. Captions have been provided herein for the convenience of the reader and shall not affect the construction of this Agreement.

C. Governing Law and Choice of Forum. This Agreement shall be governed by the laws of the State of Ohio and the City of Cincinnati and shall be interpreted and enforced in accordance with the laws of this State and City without regard to the principles of conflicts of laws. All unresolved claims and other matters in question between the City and Owner shall be decided in the Hamilton County Court of Common Pleas. The parties hereby waive trial by jury.

D. Severability. If any provision of this Agreement is determined to be illegal, invalid or unenforceable, it is the intention of the parties that the remainder of this Agreement shall not be affected thereby, and in lieu of each provision that is illegal, invalid or unenforceable, there shall be added as a part of this Agreement provision as similar in terms to such illegal, invalid or unenforceable provision as may be possible and be legal, valid and enforceable.

E. Additional Documents. The City and Owner agree to execute any further agreements, documents or instruments as may be reasonably necessary to fully effectuate the purpose and intent of this Agreement to the extent permitted by this Agreement and in compliance with all laws and ordinances controlling this Agreement.

F. Entire Agreement; Amendments. This Agreement, together with the Development Agreement, constitutes the entire agreement of the parties with respect to the subject matter hereof and supersedes all prior understandings and agreements of the parties. This Agreement may be amended only by a written amendment signed by all parties.

G. Exhibit. The following exhibit is attached hereto and made a part hereof:
Exhibit A - Legal Description

SIGNATURES ON FOLLOWING PAGE

This Service Agreement is executed by the City and Owner by their duly-authorized officers or representatives as of the Effective Date.

616 RACE LLC,
an Ohio limited liability company

By: _____

Printed name: _____

Title: _____

Date: _____, 2024

CITY OF CINCINNATI

By: _____
Sheryl M. M. Long, City Manager

Date: _____, 2024

Approved as to Form:

Assistant City Solicitor

Certified Date: _____

Fund/Code: _____

Amount: _____

By: _____
Karen Alder, City Finance Director

NOTARY BLOCKS ON FOLLOWING PAGE

STATE OF _____)
) SS:
COUNTY OF _____)

The foregoing instrument was acknowledged before me this _____ day of _____, 2024, by _____, the _____ on behalf of 616 RACE LLC, an Ohio limited liability company, on behalf of the company.

Notary Public
My commission expires: _____

STATE OF OHIO)
) SS:
COUNTY OF HAMILTON)

The foregoing instrument was acknowledged before me this _____ day of _____, 2024, by _____, _____ of the CITY OF CINCINNATI, an Ohio municipal corporation, on behalf of the corporation.

Notary Public
My commission expires: _____

This instrument prepared by:
City of Cincinnati Law Department
801 Plum Street, Room 214
Cincinnati, OH 45202

**EXHIBIT A
TO
SERVICE AGREEMENT**

LEGAL DESCRIPTION

TO BE ATTACHED TO EXECUTION VERSION

Exhibit D-1
to Development Agreement

Form of Quitclaim Deed – Initial Conveyance

EXHIBIT D-1

to Development Agreement

FORM OF QUITCLAIM DEED – INITIAL CONVEYANCE

----- space above for recorder -----

QUITCLAIM DEED

616 RACE LLC, an Ohio limited liability company, the address of which is 8825 Chapel Square Drive, Suite A, Cincinnati, Ohio 45249 ("**Grantor**"), for valuable consideration paid, hereby grants and conveys to the **CITY OF CINCINNATI**, an Ohio municipal corporation ("**Grantee**"), having an address at 801 Plum Street, Cincinnati, Ohio 45202, all Grantor's right, title and interest in and to the real property described on Exhibit A (*Legal Description*) hereto.

The City's acceptance of the Property was authorized by Ordinance No. [____], passed by City Council on [____].

Prior instrument reference: Official Record _____, Page _____, Hamilton County, Ohio Records.

Executed on _____, 2024.

616 RACE LLC

By: _____

Name: _____

Title: _____

Date: _____, 2024

NOTARY BLOCK FOLLOWS

Exhibit A to Quitclaim Deed

Legal Description

[INTENTIONALLY OMITTED]

Exhibit D-2
to Development Agreement

Form of Quitclaim Deed – City Conveyance

----- space above for recorder -----

QUITCLAIM DEED

The **CITY OF CINCINNATI**, an Ohio municipal corporation (the “**City**”), having an address of 801 Plum Street, for valuable consideration paid, hereby grants and conveys to **616 RACE LLC**, an Ohio limited liability company, the address of which is 8825 Chapel Square Drive, Suite A, Cincinnati, Ohio 45249 (“**Grantee**”), all of the City’s right, title and interest in and to the real property described on Exhibit A (*Legal Description*) hereto.

This conveyance was authorized by Ordinance No. [____], passed by Cincinnati City Council on [____].

Prior instrument reference: Official Record _____, Page _____, Hamilton County, Ohio Records.

Executed on _____, 2024.

CITY OF CINCINNATI

By: _____
Sheryl M. M. Long, City Manager

STATE OF OHIO)
) SS:
COUNTY OF HAMILTON)

The foregoing instrument was acknowledged before me this _____ day of _____, 2024, by _____, _____ of the CITY OF CINCINNATI, an Ohio municipal corporation, on behalf of the corporation.

Notary Public
My commission expires: _____

Approved as to Form:

Assistant City Solicitor

This instrument prepared by: City of Cincinnati Law Department, 801 Plum Street, Suite 214, Cincinnati, Ohio 45202

{00400150-4}

Exhibit A to Quitclaim Deed

Legal Description

[INTENTIONALLY OMITTED]

Exhibit E
to Development Agreement
Form of Completion Guaranty

SEE ATTACHED

COMPLETION GUARANTY

This Completion Guaranty (“**Guaranty**”) is made as of the Effective Date (as defined on the signature page hereof) by **SHIHASI STARWIND AIRPORT, LLC**, an Ohio limited liability company, whose address is 8825 Chapel Square Drive, Suite A, Cincinnati, Ohio 45249 (“**Guarantor**”), in favor of the **CITY OF CINCINNATI**, an Ohio municipal corporation, the address of which is 801 Plum Street, Cincinnati, Ohio 45202 (the “**City**”).

Recitals:

A. The City and 616 Race, LLC, an Ohio limited liability company (“**Obligor**”), being an affiliate of Guarantor, are parties to a *Development Agreement* dated [_____], 2024 (the “**Agreement**”). Capitalized terms used, but not defined, herein shall have the meanings ascribed thereto in the Agreement.

B. Pursuant to the Agreement, among other things, Obligor is obligated to renovate the building located on the Property, including constructing 2 new additional floors thereto, into an approximately 84,281 square feet of commercial space, consisting of approximately 109 hotel rooms (as more particularly defined and described in the Agreement, the “**Project**”).

C. It is a condition of the Agreement that Guarantor provide this Guaranty to the City with respect to the Project.

NOW, THEREFORE, for and in consideration of the City’s execution of the Agreement and other good and valuable consideration, the receipt and sufficiency of which are hereby acknowledged, Guarantor hereby promises and agrees as follows:

1. Guaranty.

(A) Guarantor hereby absolutely, unconditionally, and irrevocably guarantees to the City the full and prompt performance by Obligor of Obligor’s obligations under the Agreement to complete construction of the Project in substantial accordance with the Final Plans, as determined by the City in good faith, subject to the terms and conditions of the Agreement, including payment to the City of any and all losses, damages and expenses (including, without limitation, attorneys’ fees) suffered or incurred by the City and arising out of the failure by Obligor under the Agreement to do so, regardless of whether such losses, damages or expenses are expressly provided for under the Agreement or are then otherwise allowable by law (collectively, the “**Guaranteed Obligations**”).

(B) If Obligor fails to fulfill one or more of the Guaranteed Obligations, resulting in a notice of default from the City to Obligor under the Agreement, the City may notify Guarantor thereof in writing, whereupon Guarantor, within ten (10) days after its receipt of such notice, shall take all steps necessary to cure the default (including, for example, providing additional funding for the Project if necessary). All rights and remedies of the City under this Guaranty are cumulative, and nothing in this Guaranty shall be construed as limiting the City’s rights and remedies available under the Agreement or at law or in equity.

(C) The City may from time to time, in the exercise of its sole and absolute discretion and without providing notice to, or obtaining the consent of, Guarantor, and without in any way releasing, altering, or impairing any of Guarantor’s obligations and liabilities to the City under this Guaranty: (i) waive compliance with, or any default occurring under, or grant any other indulgence with respect to, the Agreement; (ii) modify or supplement any of the provisions of the Agreement upon written agreement with Obligor; (iii) grant any extension or renewal of or with respect to the Agreement upon written agreement with Obligor and/or effect any release, compromise or settlement in connection therewith; and (iv) deal in all respects with Obligor as if this Guaranty were not in effect.

2. Liability of Guarantor.

(A) Guarantor's liability under this Guaranty (i) shall be primary, direct and immediate and is a guaranty of performance and completion and not of collection; (ii) shall not be conditioned or contingent upon the pursuit by Obligor of any remedy that it may have against its contractors, subcontractors or any other person with respect to the Project or at law or in equity; and (iii) shall be unconditional, irrespective of the genuineness, validity, regularity or enforceability of the Agreement, as the case may be, or of the adequacy of any consideration or security given therefor or in connection therewith, or of any other circumstance that might otherwise constitute a legal or equitable discharge of a surety or a guarantor under applicable law. Guarantor hereby waives any and all defenses at law or in equity that may be available to Guarantor by virtue of any such circumstance.

(B) Without limiting the generality of the foregoing provisions of this Section 2, the City shall not be required (i) to make any demand of Obligor or any other person; or (ii) otherwise to pursue or exhaust its remedies against Obligor or any other person or entity or against the Project, before, simultaneously with, or after enforcing any of its rights and remedies under this Guaranty against Guarantor. The City may bring one or more successive and/or concurrent actions against Guarantor, either as part of any action brought against Obligor or in one or more separate actions, as often as the City deems advisable in the exercise of its sole and absolute discretion.

(C) Guarantor's liability under this Guaranty shall continue after any assignment or transfer by the City or Obligor of any of their respective rights or interests under the Agreement or with respect to the Project until the satisfaction of all provisions contained in this Guaranty (but the foregoing shall not be deemed to be or constitute the consent by the City to any such assignment by Obligor, which shall continue to be governed by the terms of the Agreement). Guarantor's liability under this Guaranty shall not be affected by any bankruptcy, reorganization or insolvency of Obligor or any successor or assignee thereof or by any disaffirmance or abandonment by a trustee of Obligor.

(D) Waivers. Guarantor hereby expressly waives: (i) presentment and demand for payment of any sum payable under the provisions of the Agreement, and protest of any nonpayment thereof; (ii) notice of acceptance of this Guaranty and of such presentment, demand and protest; (iii) notice of any default under this Guaranty or under the provisions of the Agreement, except as stated herein; (iv) demand for observance or performance, and enforcement, of any of the terms or conditions of this Guaranty, and/or of the Agreement, except as stated herein; (v) any and all other notices and demands that may otherwise be required by law to be given or made; and (vi) any and all rights that Guarantor may have to a trial by jury in any action brought on or with respect to this Guaranty, all rights and remedies accorded by applicable law to Guarantor, including, without limitation, any extension of time conferred by any law now or hereafter in effect, and all rights of redemption, homestead, dower and other rights or exemptions of every kind, whether common law or statutory. In addition, Guarantor hereby expressly agrees that, if this Guaranty is enforced by suit or otherwise, or if the City exercises any of its rights or remedies under the provisions of the Agreement upon any default by Obligor in performing any of the Guaranteed Obligations thereunder, Guarantor shall reimburse the City, upon demand, for any and all expenses, including without limitation attorneys' fees, that the City incurs in connection therewith, payable within ten (10) days after the City's written demand.

3. Subrogation. No payment by Guarantor under this Guaranty shall give Guarantor any right of subrogation to any rights or remedies of the City against Obligor under the Agreement. Until Obligor has paid and performed the Guaranteed Obligations under the Agreement, Guarantor hereby waives all rights of contribution, indemnity or subrogation with respect to Obligor that might otherwise arise from Guarantor's performance under this Guaranty.

4. Effect of this Guaranty. Guarantor hereby warrants to the City that: (a) Guarantor (i) is an affiliate of Obligor and Guarantor's members have a financial interest in the Project; (ii) is an Ohio limited liability company; (iii) has full power, authority and legal right to execute, acknowledge and deliver this Guaranty; and (iv) there are no actions, suits or proceedings pending or to the knowledge of Guarantor, threatened against Guarantor, at law or in equity, or before any governmental department, commission, board, bureau, agency or instrumentality which involve the possibility of any judgment or order that may

result in any material adverse effect upon Guarantor; and (b) this Guaranty constitutes Guarantor's binding and enforceable legal obligation.

5. Notices. All notices or other written communications hereunder shall be deemed to have been properly given (a) upon delivery, if delivered in person; (b) upon receipt or refusal if delivered by overnight delivery with any reputable overnight courier service; or (c) upon receipt or refusal if sent by U.S. registered or certified mail, postage prepaid, return receipt requested, addressed to Guarantor and the City, as the case may be, at the addresses set forth in the introductory paragraph of this Guaranty or such other address as may be designated from time to time by notice given to the other party in the manner prescribed herein. Guarantor shall simultaneously send, by U.S. certified mail, a copy of each notice given by Guarantor to the City hereunder to: City Solicitor, City of Cincinnati, 801 Plum Street, Room 214, Cincinnati, Ohio 45202. The City shall simultaneously send, by U.S. certified mail, a copy of each notice given by City to Guarantor hereunder to: Stagnaro, Saba & Patterson Co., LPA, 2623 Erie Ave., Cincinnati, OH 45208, Attn: William J. Patterson, Esq.

6. General Provisions.

(A) Amendment. This Guaranty may be amended or supplemented by, and only by, an instrument executed by the City and Guarantor.

(B) Waiver. Neither party hereto shall be deemed to have waived the exercise of any right that it holds under this Guaranty unless that waiver is made expressly and in writing (and no delay or omission by any party hereto in exercising any such right shall be deemed a waiver of its future exercise). No such waiver made as to any instance involving the exercise of any such right shall be deemed a waiver as to any other such instance, or any other such right.

(C) Applicable Law. This instrument shall be given effect and construed by application of the laws of the City of Cincinnati and the State of Ohio, and any action or proceeding arising under this Guaranty shall be brought only in the Hamilton County Court of Common Pleas. Guarantor hereto agrees that the City shall have the right to join Obligor in any action or proceeding commenced by the City under this Guaranty.

(D) Time of Essence. Time shall be of the essence as to the performance of Guarantor's obligations pursuant to this Guaranty.

(E) Headings. The headings of the paragraphs and subparagraphs of this Guaranty are provided herein for and only for convenience of reference and shall not be considered in construing their contents.

(F) Construction. As used in this Guaranty, (i) the term "person" means a natural person, a trustee, a corporation, a partnership, a limited liability company, and any other form of legal entity; and (ii) all references made (a) in the neuter, masculine, or feminine gender shall be deemed to have been made in all such genders, (b) in the singular or plural number shall be deemed to have been made, respectively, in the plural or singular number as well, (c) to any paragraph or subparagraph shall, unless herein expressly indicated to the contrary, be deemed to have been made to such paragraph or subparagraph of this Guaranty, and (d) to Guarantor, the City, and Obligor shall be deemed to refer to each person hereinabove so named and their respective heirs, executors, personal representatives, successors and assigns.

(G) Severability. No determination by any court or governmental body that any provision of this Guaranty or any amendment hereof is invalid or unenforceable in any instance shall affect the validity or enforceability of (i) any other such provision, or (ii) such provision in any circumstance not controlled by such determination. Each such provision shall be valid and enforceable to the fullest extent allowed by, and shall be construed wherever possible as being consistent with applicable law.

(H) Entire Agreement. This Guaranty represents the complete understanding between or among the parties hereto as to the subject matter hereof, and supersedes all prior negotiations,

representations, warranties, statements or agreements, either written or oral, between or among the parties hereto as to the same.

(I) Termination of Agreement. In the event that the Agreement terminates pursuant to Section 4(E) or Section 10(O) of the Agreement, then this Guaranty shall automatically terminate.

(J) Term. Subject to Section 6(I), this Guaranty shall be effective upon the execution hereof and shall remain in effect until such time as the Guaranteed Obligations are satisfied and discharged in full. At such time, Guarantor may request, and the City will endeavor to promptly provide, a written statement from the City acknowledging the same and confirming that Guarantor has no further obligations hereunder.

[Signature Page Follows]

Executed and effective as of _____, 2024 (the “**Effective Date**”).

[_____]

By: _____

Name: _____

Title: _____

Approved as to Form:

Assistant City Solicitor

This instrument prepared by: City of Cincinnati, Office of the City Solicitor
801 Plum Street, Room 214
Cincinnati, Ohio 45202

Exhibit F
to Development Agreement

Additional Requirements

Developer and Developer's general contractor shall comply with all applicable statutes, ordinances, regulations, and rules of the government of the United States, State of Ohio, County of Hamilton, and City of Cincinnati (collectively, "**Government Requirements**"), including the Government Requirements listed below, to the extent that they are applicable. Developer hereby acknowledges and agrees that (a) the below listing of Government Requirements is not intended to be an exhaustive list of Government Requirements applicable to the Project, Developer, or Developer's contractors, subcontractors or employees, either on the City's part or with respect to any other governmental entity, and (b) neither the City nor its Law Department is providing legal counsel to or creating an attorney-client relationship with Developer by attaching this Exhibit to the Agreement.

This Exhibit serves two functions:

(i) Serving as a Source of Information With Respect to Government Requirements. This Exhibit identifies certain Government Requirements that may be applicable to the Project, Developer, or its contractors and subcontractors. Because this Agreement requires that Developer comply with all applicable laws, regulations, and other Government Requirements (and in certain circumstances to cause others to do so), this Exhibit flags certain Government Requirements that Developers, contractors and subcontractors regularly face in constructing projects or doing business with the City. To the extent a Developer is legally required to comply with a Government Requirement, failure to comply with such a Government Requirement is a violation of the Agreement.

(ii) Affirmatively Imposing Contractual Obligations. If certain conditions for applicability are met, this Exhibit also affirmatively imposes contractual obligations on Developer, even where such obligations are not imposed on Developer by Government Requirements. As described below, the affirmative obligations imposed hereby are typically a result of policies adopted by City Council which, per Council's directive, are to be furthered by the inclusion of certain specified language in some or all City contracts. The City administration (including the City's Department of Community and Economic Development) is responsible for implementing the policy directives promulgated by Council (which typically takes place via the adoption of motions or resolutions by Council), including, in certain circumstances, by adding specific contractual provisions in City contracts such as this Agreement.

(A) Construction Workforce.

(i) Applicability. Consistent with the limitations contained within the City Resolutions identified in clause (ii) below, this Section (A) shall not apply to contracts with the City other than construction contracts, or to construction contracts to which the City is not a party. For the avoidance of doubt, this Agreement is a construction contract solely to the extent that it directly obligates Developer to assume the role of a general contractor on a construction project for public improvements such as police stations or other government buildings, public parks, or public roadways.

The Construction Workforce Goals are not applicable to future work (such as repairs or modifications) on any portion of the Project. The Construction Workforce Goals are not applicable to the purchase of specialty fixtures and trade fixtures.

(ii) Requirement. In furtherance of the policy enumerated in City Resolutions No. 32-1983 and 21-1998 concerning the inclusion of minorities and women in City construction work, if Developer is performing construction work for the City under a construction contract to which the City is a party, Developer shall use Best Efforts to achieve a standard of no less than 11.8% Minority Persons (as defined below) and 6.9% females (of whom at least one-half shall be Minority Persons) in each craft trade in Developer and its general contractor's aggregate workforce in Hamilton County, to be achieved at least halfway through the construction contract (or in the case of a construction contract of six months or more,

within 60 days of beginning the construction contract) (collectively, the “**Construction Workforce Goals**”).

As used herein, the following terms shall have the following meanings:

(a) “**Best Efforts**” means substantially complying with all of the following as to any of its employees performing such construction, and requiring that all of its construction subcontractors substantially comply with all of the following: (1) solicitation of Minority Persons as potential employees through advertisements in local minority publications; and (2) contacting government agencies, private agencies, and/or trade unions for the job referral of qualified Minority Persons.

(b) “**Minority Person**” means any person who is Black, Asian or Pacific Islander, Hispanic, American Indian or Alaskan Native.

(c) “**Black**” means a person having origin in the black racial group of Africa.

(d) “**Asian or Pacific Islander**” means a person having origin in the original people of the Far East or the Pacific Islands, which includes, among others, China, India, Japan, Korea, the Philippine Islands, Malaysia, Hawaii and Samoa.

(e) “**Hispanic**” means a person of Mexican, Puerto Rican, Cuban, Central or South American or other Spanish cultural origin.

(f) “**American Indian**” or “**Alaskan Native**” means a person having origin in any of the original people of North America and who maintains cultural identification through tribal affiliation.

(B) Trade Unions; Subcontracts; Competitive Bidding.

(i) Meeting and Confering with Trade Unions.

(a) Applicability. Per City of Cincinnati, Ordinance No. 130-2002, this requirement is limited to transactions in which Developer receives City funds or other assistance (including, without limitation, the City’s construction of public improvements to specifically benefit the Project, or the City’s sale of real property to Developer at below fair market value).

(b) Requirement. This Agreement may be subject to the requirements of City of Cincinnati, Ordinance No. 130-2002, as amended or superseded, providing that, if Developer receives City funds or other assistance, Developer and its general contractor, prior to the commencement of construction of the Project and prior to any expenditure of City funds, and with the aim of reaching comprehensive and efficient project agreements covering all work done by Developer or its general contractor, shall meet and confer with: the trade unions representing all of the crafts working on the Project, and minority, female, and locally-owned contractors and suppliers potentially involved with the construction of the Project. At this meeting, Developer and/or its general contractor shall make available copies of the scope of work and if prevailing wage rates apply, the rates pertaining to all proposed work on the Project. Not later than 10 days following Developer and/or its general contractor’s meet and confer activity, Developer shall provide to the City, in writing, a summary of Developer and/or its general contractor’s meet and confer activity.

(ii) Contracts and Subcontracts; Competitive Bidding.

(a) Applicability. This clause (ii) is applicable to “construction contracts” under CMC Chapter 321. Municipal Code Chapter 321 defines “construction” as “any construction, reconstruction, improvement, enlargement, alteration, repair, painting, decorating, wrecking or demolition, of any public improvement the total overall project cost of which is fairly estimated by Federal or Ohio statutes to be more than four thousand dollars and performed by other than full-time employees who have completed their probationary periods in the classified service of a public authority,” and “contract” as “all written agreements of the City of Cincinnati, its boards or commissions, prepared and signed by the city

purchasing agent or a board or commission for the procurement or disposal of supplies, service or construction.”

(b) Requirement. If CMC Chapter 321 applies to the Project, Developer is required to ensure that all contracts and subcontracts for the Project are awarded pursuant to a competitive bidding process that is approved by the City in writing. All bids shall be subject to review by the City. All contracts and subcontracts shall be expressly required by written agreement to comply with the provisions of this Agreement and the applicable City and State of Ohio laws, ordinances and regulations with respect to such matters as allocation of subcontracts among trade crafts, Small Business Enterprise Program, Equal Employment Opportunity, and Construction Workforce Goals.

(iii) Competitive Bidding for Certain City-Funded Development Agreements.

(a) Applicability. Pursuant to Ordinance No. 273-2002, the provision in clause (b) below applies solely where the Project receives in \$250,000 or more in direct City funding, and where such funding comprises at least 25% of the Project’s budget. For the purposes of this clause (iii), “direct City funding” means a direct subsidy of City funds in the form of cash, including grants and forgivable loans, but not including public improvements, land acquisitions and sales, job creation tax credits, or tax abatements or exemptions.

(b) Requirement. This Agreement requires that Developer issue an invitation to bid on the construction components of the development by trade craft through public notification and that the bids be read aloud in a public forum. For purposes of this provision, the following terms shall be defined as set forth below:

(1) “Bid” means an offer in response to an invitation for bids to provide construction work.

(2) “Invitation to Bid” means the solicitation for quoted prices on construction specifications and setting a time, date and place for the submission of and public reading of bids. The place for the public reading of bids shall be chosen at the discretion of Developer; however, the place chosen must be accessible to the public on the date and time of the public reading and must have sufficient room capacity to accommodate the number of respondents to the invitation to bid.

(3) “Trade Craft” means (a) general construction work, (b) electrical equipment, (c) plumbing and gas fitting, (d) steam and hot water heating and air conditioning and ventilating apparatus, and steam power plant, (e) elevator work, and (f) fire protection.

(4) “Public Notification” means (a) advertisement of an invitation to bid with ACI (Allied Construction Industries) and the Dodge Report, and (b) dissemination of the advertisement (either by mail or electronically) to the South Central Ohio Minority Business Council, Greater Cincinnati Northern Kentucky African-American Chamber of Commerce, and the Hispanic Chamber of Commerce. The advertisement shall include a description of the “scope of work” and any other information reasonably necessary for the preparation of a bid, and it shall be published and disseminated no less than fourteen days prior to the deadline for submission of bids stated in the invitation to bid.

(5) “Read Aloud in a Public Forum” means all bids shall be read aloud at the time, date and place specified in the invitation for bids, and the bids shall be available for public inspection at the reading.

(C) City Building Code. All construction work must be performed in compliance with City building code requirements.

(D) Lead Paint Regulations. All work must be performed in compliance with Chapter 3742 of the Ohio Revised Code, Chapter 3701-32 of the Ohio Administrative Code, and must comply with

OSHA's Lead in Construction Regulations and the OEPA's hazardous waste rules. All lead hazard abatement work must be supervised by an Ohio Licensed Lead Abatement Contractor/Supervisor.

(E) Displacement. If the Project involves the displacement of tenants, Developer shall comply with all Government Requirements in connection with such displacement. If the City shall become obligated to pay any relocation costs or benefits or other sums in connection with the displacement of tenants, under CMC Chapter 740 or otherwise, Developer shall reimburse the City for any and all such amounts paid by the City in connection with such displacement within 20 days after the City's written demand.

(F) Business Enterprise Program.

(i) Applicability. In furtherance of the policy goals established by CMC Chapter 323 (Small Business Enterprise and Local Business Enterprise Program), and CMC Chapter 324 (Minority and Women Business Enterprise Program), the requirements set forth in this Section (F) shall apply to this Agreement as an affirmative contractual obligation, notwithstanding the legal applicability or inapplicability of CMC Chapters 323 and 324 to this Agreement. Developer hereby agrees to comply with this Section (F) and, where applicable, to cause its general contractor to comply with this Section (F) in all respects.

(ii) Requirement. Developer and its general contractor shall use its best efforts to ensure that certified SBEs, MBEs, and WBEs (in each case as such terms are used within CMC Chapters 323 and 324, collectively, "**Certified Firms**") are utilized as sources of supplies, equipment, construction, and services, with (a) the goal of meeting 30% Certified Firm participation for construction contracts and 15% participation for supplies, services, and professional services contracts, and (b) with a sub-goal, being Developer's Project-specific voluntary commitment, of meeting the City's economic inclusion program goals to achieve a standard of no less than: (i) for MBEs, 17% for construction services; and (ii) for WBEs, 10% for construction services. (A list of certified SBEs, MBEs, and WBEs may be obtained from the Department of Economic Inclusion or from the City's web page, <http://cincinnati.diversitycompliance.com>.) Developer and its general contractor may refer interested firms to the Department of Economic Inclusion for review and possible certification as a certified SBE, MBE, or WBE, and applications may also be obtained from such web page. Developer expressly agrees to take (or cause its general contractor to take) at least the following affirmative steps, except as expressly waived in writing by the Director of the Department of Economic Inclusion:

- (1) Including qualified Certified Firms on solicitation lists.
- (2) Assuring that Certified Firms are solicited whenever they are potential sources, including by advertising, on at least two separate occasions, both in local minority publications and in other local newspapers of general circulation, invitations to Certified Firms to provide services, to supply materials or to bid on construction contracts for the Project. Developer and its general contractor are encouraged to use the internet and similar types of advertising to reach a broader audience, but these additional types of advertising cannot be used as substitutes for the above.
- (3) When economically feasible, dividing total requirements into small tasks or quantities so as to permit maximum Certified Firm participation.
- (4) When needs permit, establishing delivery schedules that will encourage participation by Certified Firms.

(iii) If any subcontracts are to be let, Developer shall require the prime contractor to take the above affirmative steps.

(iv) Developer shall provide to the City, prior to commencement of the Project, a report listing all of the contractors and subcontractors for the Project, including information as to the owners, dollar amount of the contract or subcontract, and other information that may be deemed necessary by the City Manager. Developer or its general contractor shall update the report monthly by the 15th. Developer or its general contractor shall enter all reports required in this subsection via the City's web page referred to in clause (i) above or any successor site or system the City uses for this purpose. Upon execution of this Agreement, Developer and its general contractor shall contact the Department of Economic Inclusion to

obtain instructions, the proper internet link, login information, and password to access the site and set up the necessary reports.

(v) Developer and its general contractor shall periodically document its best efforts and affirmative steps to meet the above Certified Firm participation goals by notarized affidavits executed in a form acceptable to the City, submitted upon the written request of the City. The City shall have the right to review records and documentation relevant to the affidavits. If affidavits are found to contain false statements, the City may prosecute the affiant pursuant to Section 2921.12, Ohio Revised Code.

(vi) Failure of Developer or its general contractor to take the affirmative steps specified above, or to provide fair and equal opportunity to Certified Firms, as may be necessary to reach the minimum percentage goals for Certified Firm participation as set forth in CMC Chapters 323 and 324, may be construed by the City as failure of Developer to use best efforts, and, in addition to other remedies under this Agreement, may be a cause for the City to file suit in Common Pleas Court to enforce specific performance of the terms of this section.

(G) Equal Employment Opportunity.

(i) Applicability. Chapter 325 of the CMC (Equal Employment Opportunity) applies (a) where the City expends more than \$5,000 under a non-construction contract, or (b) where the City spends or receives over \$5,000 to (1) employ another party to construct public improvements, (2) purchase services, or (3) lease any real or personal property to or from another party. Chapter 325 of the Municipal Code does not apply where the contract is (a) for the purchase of real or personal property to or from another party, (b) for the provision by the City of services to another party, (c) between the City and another governmental agency, or (d) for commodities such as utilities.

(ii) Requirement. If this Agreement is subject to the provisions of Chapter 325 of the CMC (the City of Cincinnati's Equal Employment Opportunity Program), the provisions thereof are hereby incorporated by reference into this Agreement.

(H) Prevailing Wage. Developer shall comply, and shall cause all contractors working on the Project to comply, with all any prevailing wage requirements that may be applicable to the Project. In the event that the City is directed by the State of Ohio to make payments to construction workers based on violations of such requirements, Developer shall make such payments or reimburse the City for such payments within 20 days of demand therefor. A copy of the City's prevailing wage determination may be attached to this Exhibit as Addendum I to Additional Requirements Exhibit (City's Prevailing Wage Determination) hereto.

(I) Compliance with the Immigration and Nationality Act. In the performance of its construction obligations under this Agreement, Developer shall comply with the following provisions of the federal Immigration and Nationality Act: 8 U.S.C.A. 1324a(a)(1)(A) and 8 U.S.C.A. 1324a(a)(2). Compliance or noncompliance with those provisions shall be solely determined by final determinations resulting from the actions by the federal agencies authorized to enforce the Immigration and Nationality Act, or by determinations of the U.S.

(J) Prompt Payment. The provisions of Chapter 319 of the CMC, which provides for a "Prompt Payment System", may apply to this Agreement. Municipal Code Chapter 319 also (i) provides certain requirements for invoices from contractors with respect to the Prompt Payment System, and (ii) obligates contractors to pay subcontractors for satisfactory work in a timely fashion as provided therein.

(K) Conflict of Interest. Pursuant to Ohio Revised Code 102.03, no officer, employee, or agent of the City who exercises any functions or responsibilities in connection with the planning or carrying out of the Project may have any personal financial interest, direct or indirect, in Developer or in the Project, and Developer shall take appropriate steps to assure compliance.

(L) Ohio Means Jobs. If this Agreement constitutes a construction contract (pursuant to the guidance with respect to the definition of that term provided in Section (A) above), then, pursuant to

Ordinance No. 238-2010: To the extent allowable by law, Developer and its general contractor shall use its best efforts to post available employment opportunities with Developer, the general contractor's organization, or the organization of any subcontractor working with Developer or its general contractor with the OhioMeansJobs Center, 1916 Central Parkway, Cincinnati, Ohio 45214-2305, through its Employer Services Unit Manager at 513-946-7200.

(M) Wage Enforcement.

(i) Applicability. Council passed Ordinance No. 22-2016 on February 3, 2016, which ordained Chapter 326 (Wage Enforcement) of the CMC (the "**Wage Enforcement Chapter**"). The Wage Enforcement Chapter was then amended by Ordinance No. 96-2017, passed May 17, 2017. As amended, the Wage Enforcement Chapter imposes certain requirements upon persons entering into agreements with the City whereby the City provides an incentive or benefit that is projected to exceed \$25,000, as described more particularly in the Wage Enforcement Chapter. CMC Section 326-5 requires that the language below be included in contracts subject to the Wage Enforcement Chapter.

(ii) Required Contractual Language. Capitalized terms used, but not defined, in this clause (ii) have the meanings ascribed thereto in the Wage Enforcement Chapter.

(a) This contract is or may be subject to the Wage Enforcement provisions of the CMC. These provisions require that any Person who has an Agreement with the city or with a Contractor or Subcontractor of that Person shall report all Complaints or Adverse Determinations of Wage Theft and Payroll Fraud (as each of those terms is defined in Chapter 326 of the CMC) against the Contractor or Subcontractors to the Department of Economic Inclusion within 30 days of notification of the Complaint or Adverse Determination.

(b) If this contract is subject to the Wage Enforcement provisions of Chapter 326 of the CMC, the Person entering into this contract is required to include provisions in solicitations and contracts regarding a Development Site that all employers, Contractors or Subcontractors performing or proposing to perform work on a Development Site provide an initial sworn and notarized "Affidavit Regarding Wage Theft and Payroll Fraud" on a form prescribed by the city manager or his or her designee and, within 30 days of an Adverse Determination or Complaint of Wage Theft or Payroll Fraud, shall provide an "Amended Affidavit Regarding Wage Theft and Payroll Fraud" on a form prescribed by the city manager or his or her designee.

(c) If this contract is subject to the Wage Enforcement provisions of Chapter 326 of the CMC, the Person entering into this contract is required to authorize, and does hereby specifically authorize, any local, state or federal agency, court, administrative body or other entity investigating a complaint of Wage Theft or Payroll Fraud against the Person (collectively "investigative bodies") to release to the City's Department of Economic Inclusion any and all evidence, findings, complaints and determinations associated with the allegations of Wage Theft or Payroll Fraud upon the City's request and further authorizes such investigative bodies to keep the City advised regarding the status of the investigation and ultimate determination. If the investigative bodies require the Person to provide additional authorization on a prescribed form or in another manner, the Person shall be required to provide such additional authorization within 14 days of a request by the City.

(d) If this Agreement is subject to the Wage Enforcement provisions of Chapter 326 of the CMC, the Person entering into this Agreement shall include in its contracts with all Contractors language that requires the Contractors to provide the authorizations set forth in subsection (c) above and that further requires each Contractor to include in its contracts with Subcontractors those same obligations for each Subcontractor and each lower tier subcontractor.

(e) If this Agreement is subject to the Wage Enforcement provisions of Chapter 326 of the CMC, the Person entering into this Agreement shall post a conspicuous notice on the Development Site throughout the entire period work is being performed pursuant to the Agreement indicating that the work being performed is subject to CMC Chapter 326, Wage Enforcement, as

administered by the City of Cincinnati Department of Economic Inclusion. Such notice shall include contact information for the Department of Economic Inclusion as provided by the department.

(f) Under the Wage Enforcement provisions, the city shall have the authority, under appropriate circumstances, to terminate this contract or to reduce the incentives or subsidies to be provided under this contract and to seek other remedies, including debarment.

(N) Americans With Disabilities Act; Accessibility.

(i) Applicability. Cincinnati City Council adopted Motion No. 201600188 on February 3, 2016 (the “**Accessibility Motion**”). This motion directs City administration, including DCED, to include language specifically requiring compliance with the Americans With Disabilities Act, together with any and all regulations or other binding directives promulgated pursuant thereto (collectively, the “**ADA**”), and imposing certain minimum accessibility standards on City-subsidized projects regardless of whether there are arguably exceptions or reductions in accessibility standards available under the ADA or State law.

(ii) Requirement. In furtherance of the policy objectives set forth in the Accessibility Motion, (A) the Project shall comply with the ADA, and (B) if (i) any building(s) within the Project is subject to the accessibility requirements of the ADA (e.g., by constituting a “place of public accommodation” or another category of structure to which the ADA is applicable) and (ii) such building(s) is not already required to meet the Contractual Minimum Accessibility Requirements (as defined below) pursuant to the ADA, applicable building code requirements, or by any other legal requirement, then Developer shall cause such building(s) to comply with the Contractual Minimum Accessibility Requirements in addition to any requirements pursuant to the ADA and the applicable building code or legal requirement. As used herein, “**Contractual Minimum Accessibility Requirements**” means that a building shall, at a minimum, include (1) at least one point of entry (as used in the ADA), accessible from a public right of way, with respect to which all architectural barriers (as used in the ADA) to entry have been eliminated, and (2) if such accessible point of entry is not a building’s primary point of entry, conspicuous signage directing persons to such accessible point of entry.

(O) Electric Vehicle Charging Stations in Garages.

(i) Applicability. Cincinnati City Council passed Ordinance No. 89-2017 on May 10, 2017. This ordinance requires all agreements in which the City provides any amount of “qualifying incentives” for projects involving the construction of a parking garage to include a provision requiring the inclusion of certain features in the garage relating to electric vehicles. The ordinance defines “qualifying incentives” as the provision of incentives or support for the construction of a parking garage in the form of (a) the provision of any City monies or monies controlled by the City including, without limitation, the provision of funds in the form of loans or grants; (b) the provision of service payments in lieu of taxes in connection with tax increment financing, including rebates of service payments in lieu of taxes; and (c) the provision of the proceeds of bonds issued by the City or with respect to which the City has provided any source of collateral security or repayment, including, without limitation, the pledge of assessment revenues or service payments in lieu of taxes. For the avoidance of doubt, “qualifying incentives” does not include (1) tax abatements such as Community Reinvestment Area abatements pursuant to Ohio Revised Code 3735.67, et seq., or Job Creation Tax Credits pursuant to Ohio Revised Code 718.15; (2) the conveyance of City-owned real property for less than fair market value; and (3) any other type of City support in which the City provides non-monetary assistance to a project, regardless of value.

(ii) Requirement. If the applicability criteria of Ordinance No. 89-2017 are met, then the following requirements shall apply to any parking garage included within the Project: (a) at least one percent of parking spaces, rounding up to the nearest integer, shall be fitted with Level 2 minimum 7.2 kilowatt per hour electric car charging stations; provided that if one percent of parking spaces is less than two parking spaces, the minimum number of parking spaces subject to this clause shall be two parking spaces; and (b) the parking garage’s electrical raceway to the electrical supply panel serving the garage shall be capable of providing a minimum of 7.2 kilowatts of electrical capacity to at least five percent of the parking spaces of the garage, rounding up to the nearest integer, and the electrical room supplying the garage must have the physical space for an electrical supply panel sufficient to provide 7.2 kilowatts

of electrical capacity to at least five percent of the parking spaces of the garage, rounding up to the nearest integer.

(P) Certification as to Non-Debarment. Developer represents that neither it nor any of its principals is presently suspended or debarred by any federal, state, or local government agency. In completing the Project, Developer shall not solicit bids from any contractors or subcontractors who are identified as being suspended or debarred by any federal, state, or local government agency. If Developer or any of its principals becomes suspended or debarred by any federal, state, or local government agency during the term of this Agreement, Developer shall be considered in default under this Agreement.

(Q) Use of Nonfranchised Commercial Waste Haulers Prohibited. The City requires that persons providing commercial waste collection services (as that term is defined under CMC Chapter 730) within the City of Cincinnati obtain a franchise, and the City maintains a list of franchised commercial waste haulers. Developer is prohibited from using or hiring (or causing to be used or hired) a nonfranchised commercial waste hauler to provide commercial waste collection services in connection with the performance of this Agreement, and Developer is responsible for ensuring that any commercial waste collection services provided in connection with the performance of this Agreement are provided by a franchised commercial waste hauler. Questions related to the use of commercial waste franchisees can be directed to, and a list of current franchisees can be obtained from, the City's Office of Environment & Sustainability by calling (513)352-3200.

*Addendum I
to
Additional Requirements Exhibit*

City's Prevailing Wage Determination

REQUEST FOR PROJECT WAGE DETERMINATION

2024-092

DATE RECEIVED: 4/5/2024

ORIGINAL ASSIGNED NUMBER:

DEI USE ONLY

Fillout and Circle all that Apply Below:

REQUESTING AGENCY OR DEPT:

Community & Economic Development

FUNDING GUIDELINES:

(State or Federal)

CONTACT PERSON AND PHONE NUMBER:

Justin Halter 513-352-6241

RATES THAT APPLY:

(Building, Heavy, Highway, Residential)

Requested Date: 4/3/2024

Estimated Advertising Date: 5/1/2024

Estimated Bid Opening Date: 5/30/2024

Estimated Starting Date: 6/30/2024

[Prevailing Wage Will Not Apply]

DECISION NUMBER: N/A

MODIFICATION NUMBER: N/A

SOURCE AND FUND NUMBER

PUBLICATION DATE: N/A

CITY FUND

STATE FUND

COUNTY FUND

FEDERAL FUND

DETERMINATION BY:

Name: Lydgia Sartor

Title: Interim Deputy Director

PROJECT BEING COMPETIVLY BID? X

Date: 4/5/2024

PROJECT ACCOUNT NUMBER: N/A

APPROVED BY:

AMT. OF PUB. FUNDING \$: 0

Laura Castillo

DIRECTOR, DEPARTMENT OF ECONOMIC
INCLUSION

TOTAL PROJECT DOLLARS: \$28,108,720

COMMENTS:

NAME OF PROJECT

614-616 Race Street (Chong Building) Rehabilitation -
Home 2 Suites by Hilton Hotel

Project as described is being privately funded, no direct city funds will be contributed to this project. Therefore, State prevailing wage does not apply.

This project does not qualify as a "Development Agreement" because the TIF exemption for this project does not count towards the threshold for a "Development Agreement" as covered under ORC 5709.41, which is excluded under CMC 321-1-D2(b)(I).

Note: Any changes to the scope, funding, or developer of this project will require revision to this wage determination.

TYPE OF WORK

- | | | |
|---------------|---|----------------|
| 1. Building | X | 2. Heavy |
| 3. Highway | | 4. Residential |
| 5. Demolition | | |
| 6. Other | | |

PROJECT LOCATION

614-616 Race Street in the Central Business District. The Developer will construct two additional floors above 616 Race Street, and four additional floors above 614 Race Street.

PROJECT FUNDING SOURCE

The City's proposed assistance to the project is an ORC 5709.41 "Private Project TIF" for a term of 30 years. The Developer will receive net-52% rebated service payments for the first 25 years.

PROJECT SCOPE OF WORK AND BUDGET

The Developer will redevelop the Chong Building located at 614-616 Race Street into an 84,281 square foot 109 room Home 2 Suites by Hilton Hotel. The project will also include 1,995 square feet of bar / restaurant space.

DEI 217 Form
REV: 8/3/2023

April 17, 2024

To: Mayor and Members of City Council

202401128

From: Sheryl M. M. Long, City Manager

**Subject: Ordinance – Health: American Heart Association (AHA)
Ambulatory Quality Improvement Grant**

Attached is an Ordinance captioned:

AUTHORIZING the City Manager to accept and appropriate a grant of up to \$2,000 from the American Heart Association to support the Cincinnati Health Department’s participation in its Ambulatory Quality Improvement Program; and **AUTHORIZING** the Director of Finance to deposit the grant funds into Public Health Research Fund revenue account no. 350x8571.

Approval of this Ordinance authorizes the City Manager to accept and appropriate a grant of up to \$2,000 from the American Heart Association to support the Cincinnati Health Department’s participation in its Ambulatory Quality Improvement Program. This Ordinance further authorizes the Finance Director to deposit the grant funds into Public Health Research Fund revenue account no. 350x8571.

Participation in the program will require the Cincinnati Health Department to attend meetings and submit data to the AHA to support research aimed at lowering the risk of death and disability caused by cardiovascular disease.

The City was offered the grant without needing to apply, but no grant funds will be accepted without approval by the City Council.

No additional FTEs/full time equivalents or local matching funds are required.

Accepting this grant is in accordance with the “Sustain” goal to “[b]ecome a healthier Cincinnati” as described on pages 181-192 of Plan Cincinnati (2012).

The Administration recommends passage of this Ordinance.

cc: Andrew M. Dudas, Budget Director
Karen Alder, Finance Director



Attachment

AUTHORIZING the City Manager to accept and appropriate a grant of up to \$2,000 from the American Heart Association to support the Cincinnati Health Department’s participation in its Ambulatory Quality Improvement Program; and **AUTHORIZING** the Director of Finance to deposit the grant funds into Public Health Research Fund revenue account no. 350x8571.

WHEREAS, a grant of up to \$2,000 is available to support the Cincinnati Health Department’s participation in the American Heart Association’s Ambulatory Quality Improvement Program; and

WHEREAS, as a participant in the Ambulatory Quality Improvement Program, the Cincinnati Health Department will attend meetings and submit data to the American Heart Association to support research aimed at lowering the risk of death and disability caused by cardiovascular disease; and

WHEREAS, the City was offered the grant without needing to apply, but no grant funds will be accepted without approval by Council; and

WHEREAS, this grant requires no matching funds, and there are no new FTEs/full time equivalents associated with this grant; and

WHEREAS, accepting this grant is in accordance with the “Sustain” goal to “[b]ecome a healthier Cincinnati” as described on pages 181-192 of Plan Cincinnati (2012); now, therefore,

BE IT ORDAINED by the Council of the City of Cincinnati, State of Ohio:

Section 1. That the City Manager is authorized to accept and appropriate a grant of up to \$2,000 from the American Heart Association to support the Cincinnati Health Department’s participation in its Ambulatory Quality Improvement Program.

Section 2. That the Director of Finance is authorized to deposit the grant funds into Public Health Research Fund revenue account no. 350x8571.

Section 3. That the proper City officials are authorized to do all things necessary and proper to carry out the terms of the grant and Sections 1 and 2.

Section 4. That this ordinance shall take effect and be in force from and after the earliest period allowed by law.

Passed: _____, 2024

Aftab Pureval, Mayor

Attest: _____
Clerk

April 17, 2024

To: Mayor and Members of City Council

202401129

From: Sheryl M. M. Long, City Manager

Subject: Ordinance – Health: Ohio Department of Health (ODH) Expansion of Established School-Based Health Centers (SBHC) Grant

Attached is an Ordinance captioned:

AUTHORIZING the City Manager to apply for, accept, and appropriate a grant of up to \$400,000 from the Ohio Department of Health for the expansion of existing school-based health centers (“SBHCs”) to expand the SBHC at Roberts Academy; and **AUTHORIZING** the Director of Finance to deposit the grant funds into Public Health Research Fund revenue account no. 350x8536.

Approval of this Ordinance authorizes the City Manager to apply for, accept, and appropriate a grant of up to \$400,000 from the Ohio Department of Health for the expansion of existing school-based health centers (SBHCs) to expand the SBHC at Roberts Academy, one of the largest SBHCs the Cincinnati Health Department (CHD) operates. This Ordinance further authorizes the Finance Director to deposit the grant funds into Public Health Research Fund revenue account no. 350x8536.

These grant funds would provide resources for CHD to acquire medical equipment, supplies, and waiting room furniture, and to construct a community entrance to the SBHC at Roberts Academy to enhance accessibility and safety for residents and students. If grant funds are awarded and accepted, a memorandum of understanding (MOU) will be required between CHD and Cincinnati Public Schools (CPS) as part of the grant agreement because the community entrance will be constructed on CPS property.

The grant application deadline was April 1, 2024, and the City has already applied for the grant, but no grant funds will be accepted without approval by the City Council.

No additional FTEs/full time equivalents or local matching funds are required.

Accepting these grant funds to expand the established SBHC at Roberts Academy is in accordance with the “Sustain” goal to “[b]ecome a healthier Cincinnati” as described on pages 181-192 of Plan Cincinnati (2012).

The Administration recommends passage of this Ordinance.

cc: Andrew M. Dudas, Budget Director
Karen Alder, Finance Director



Attachment

AUTHORIZING the City Manager to apply for, accept, and appropriate a grant of up to \$400,000 from the Ohio Department of Health for the expansion of existing school-based health centers (“SBHCs”) to expand the SBHC at Roberts Academy; and **AUTHORIZING** the Director of Finance to deposit the grant funds into Public Health Research Fund revenue account no. 350x8536.

WHEREAS, an Expansion of Established School-Based Health Centers grant is available from the Ohio Department of Health to expand established school-based health centers (“SBHCs”); and

WHEREAS, Roberts Academy hosts one of the largest SBCHs operated by the Cincinnati Health Department (“CHD”); and

WHEREAS, acceptance of this grant would provide resources for CHD to acquire medical equipment, supplies, and waiting room furniture, and to construct a community entrance to the SBHC at Roberts Academy to enhance accessibility and safety for residents and students; and

WHEREAS, if grant funds are awarded and accepted, a memorandum of understanding will be required between CHD and Cincinnati Public Schools (“CPS”) to carry out the grant’s purposes because the community entrance will be constructed on CPS property; and

WHEREAS, the grant application deadline was April 1, 2024, and the City has already applied for the grant, but no grant funds will be accepted without approval by Council; and

WHEREAS, this grant requires no matching funds, and there are no new FTEs/full time equivalents associated with this grant; and

WHEREAS, acceptance of these grant funds to expand the established SBHC at Roberts Academy is in accordance with the “Sustain” goal to “[b]ecome a healthier Cincinnati” as described on pages 181-192 of Plan Cincinnati (2012); now, therefore,

BE IT ORDAINED by the Council of the City of Cincinnati, State of Ohio:

Section 1. That the City Manager is authorized to apply for, accept, and appropriate a grant of up to \$400,000 from the Ohio Department of Health for the expansion of existing school-based health centers (“SBHCs”) to expand the SBHC at Roberts Academy, one of the largest SBHCs the Cincinnati Health Department operates.

Section 2. That the Director of Finance is authorized to deposit the grant funds into Public Health Research Fund revenue account no. 350x8536.

Section 3. That the proper City officials are authorized to do all things necessary and proper to carry out the terms of the grant and Sections 1 and 2.

Section 4. That this ordinance shall take effect and be in force from and after the earliest period allowed by law.

Passed: _____, 2024

Aftab Pureval, Mayor

Attest: _____
Clerk

April 17, 2024

To: Mayor and Members of City Council 202401126
From: Sheryl M. M. Long, City Manager
Subject: **Emergency Ordinance – OES: Bloomberg Philanthropies Youth Climate Action Fund Grant**

Attached is an Emergency Ordinance captioned:

AUTHORIZING the City Manager to apply for, accept, and appropriate a grant of up to \$50,000 from the Bloomberg Philanthropies Youth Climate Action Fund to Environment and Sustainability Fund 436 to create the Cincinnati Youth Climate Action Program; and **AUTHORIZING** the Director of Finance to deposit grant revenues into Environment and Sustainability Fund 436 revenue account no. 436x8571.

This Emergency Ordinance authorizes the City Manager to apply for, accept, and appropriate a grant of up to \$50,000 from the Bloomberg Philanthropies Youth Climate Action Fund to Environment and Sustainability Fund 436 to create the Cincinnati Youth Climate Action Program.

The Cincinnati Youth Climate Action Program will support Cincinnati youth in designing, producing, and overseeing urgent climate solutions for potential projects. Upon completion of this \$50,000 grant award, the City will be eligible for an additional \$100,000 award to add to the Cincinnati Youth Climate Action Program, at which time a separate ordinance will be presented to the City Council for approval.

This grant does not require matching funds, and there are no new FTEs/full time equivalents associated with this grant.

The City has already applied for the grant, but no grant resources will be accepted without approval by the City Council.

Creating the Cincinnati Youth Climate Action Program is in accordance with the “Sustain” goal to “[b]ecome a healthier Cincinnati” and strategies to “[c]reate a healthy environment and reduce energy consumption” and “[m]ake sustainable access to and use of fresh, healthy food a priority in all neighborhoods,” as well as the “Sustain” goal to “[p]reserve our natural and built environment” and strategy to “[p]rotect our natural resources” as described on pages 181-186 and 190-196 of Plan Cincinnati (2012).

The reason for the emergency is the immediate to accept the grant and meet established project timelines.

The Administration recommends passage of this Emergency Ordinance.

cc: Andrew M. Dudas, Budget Director
Karen Alder, Finance Director

Attachment



EMERGENCY

LES

- 2024

AUTHORIZING the City Manager to apply for, accept, and appropriate a grant of up to \$50,000 from the Bloomberg Philanthropies Youth Climate Action Fund to Environment and Sustainability Fund 436 to create the Cincinnati Youth Climate Action Program; and **AUTHORIZING** the Director of Finance to deposit grant revenues into Environment and Sustainability Fund 436 revenue account no. 436x8571.

WHEREAS, a grant of up to \$50,000 is available from the Bloomberg Philanthropies Youth Climate Action Fund to provide funding to create the Cincinnati Youth Climate Action Program; and

WHEREAS, the Cincinnati Youth Climate Action Program will support Cincinnati youth, ages fifteen to 24, in designing, producing, and overseeing urgent climate solutions for potential projects including education, outreach, research, co-development initiatives, launching climate mitigation, and adaptation initiatives, as well as involvement in governance of local climate action plans; and

WHEREAS, from the \$50,000 in available grant funding, \$10,000 will be used for administrative funding and the remaining \$40,000 will be distributed as small grants to youth-led and youth-serving groups that lead projects consistent with the 2023 Green Cincinnati Plan; and

WHEREAS, small grant awards are anticipated to range from \$1,000 to \$5,000 per request and are expected to be utilized within six months; and

WHEREAS, upon completion of this \$50,000 grant award, the City will be eligible for an additional \$100,000 award to add to the Cincinnati Youth Climate Action Program, at which time a separate ordinance will be presented to Council for approval; and

WHEREAS, this grant does not require matching funds, and there are no new FTEs/full time equivalents associated with this grant; and

WHEREAS, the City has already applied for the grant, but no grant resources will be accepted without approval by Council; and

WHEREAS, creating the Cincinnati Youth Climate Action Program is in accordance with the “Sustain” goal to “[b]ecome a healthier Cincinnati” and strategies to “[c]reate a healthy environment and reduce energy consumption” and “[m]ake sustainable access to and use of fresh, healthy food a priority in all neighborhoods,” as well as the “Sustain” goal to “[p]reserve our natural and built environment” and strategy to “[p]rotect our natural resources” as described on pages 181-186 and 190-196 of Plan Cincinnati (2012); now, therefore,

BE IT ORDAINED by the Council of the City of Cincinnati, State of Ohio:

Section 1. That the City Manager is authorized to apply for, accept, and appropriate a grant of up to \$50,000 from the Bloomberg Philanthropies Youth Climate Action Fund to Environment and Sustainability Fund 436 to create the Cincinnati Youth Climate Action Program.

Section 2. That the Director of Finance is authorized to deposit grant revenues into Environment and Sustainability Fund revenue account no. 436x8571.

Section 3. That the proper City officials are authorized to do all things necessary and proper to carry out the terms of the grant and Sections 1 and 2.

Section 4. That this ordinance shall be an emergency measure necessary for the preservation of the public peace, health, safety, and general welfare and shall, subject to the terms of Article II, Section 6 of the Charter, be effective immediately. The reason for the emergency is the immediate need to accept the grant and meet established project timelines.

Passed: _____, 2024

Aftab Pureval, Mayor

Attest: _____
Clerk

April 10, 2024

To: Mayor and Members of City Council

202401068

From: Sheryl M. M. Long, City Manager

Subject: Ordinance – Police: FY 2024 Drive to Succeed Grant

Attached is an Ordinance captioned:

AUTHORIZING the City Manager to apply for, accept, and appropriate a grant of up to \$54,600 from the Ohio Department of Public Safety, Ohio Traffic Safety Office, Drive to Succeed 2024 Grant, to provide community-based scholarships to eligible students for driver education training; and **AUTHORIZING** the Director of Finance to deposit the grant funds into Law Enforcement Grant Fund 368, project account no. 24DTS.

This Ordinance authorizes the City Manager to apply for, accept, and appropriate a grant of up to \$54,600 from the Ohio Department of Public Safety (ODPS), Ohio Traffic Safety Office (OTSO), Drive to Succeed 2024 Grant, to provide community-based scholarships to eligible students for driver education training. This Ordinance also authorizes the Director of Finance to deposit the grant funds into Law Enforcement Grant Fund 368, project account no. 24DTS.

The grant aims to expand access to teen driver training. The grant will address the localized needs of the community while establishing relationships between local law enforcement and the populations served.

The grant application deadline was March 15, 2024, and the City has already applied for the grant, but no grant funds will be accepted without approval by the City Council. The grant does not require matching funds, and there are no new FTEs/full time equivalents associated with this grant.

Acceptance of this grant is in accordance with the “Live” goal to “[c]reate a more livable community” as described on pages 156-163 of Plan Cincinnati (2012).

The Administration recommends passage of this Ordinance.

cc: Andrew Dudas, Budget Director
Karen Alder, Finance Director



Attachment

AUTHORIZING the City Manager to apply for, accept, and appropriate a grant of up to \$54,600 from the Ohio Department of Public Safety, Ohio Traffic Safety Office, Drive to Succeed 2024 Grant, to provide community-based scholarships to eligible students for driver education training; and **AUTHORIZING** the Director of Finance to deposit the grant funds into Law Enforcement Grant Fund 368, project account no. 24DTS.

WHEREAS, a grant of up to \$54,600 is available from the Ohio Department of Public Safety, Ohio Traffic Safety Office, Drive to Succeed 2024 Grant program to provide community-based scholarships to eligible students for driver education training; and

WHEREAS, the grant will address the localized needs of the community while establishing relationships between local law enforcement and the populations served; and

WHEREAS, the grant application deadline was March 15, 2024, and the City has already applied for the grant, but no grant funds will be accepted without approval by Council; and

WHEREAS, this grant does not require matching funds, and there are no new FTEs/full time equivalents associated with this grant; and

WHEREAS, acceptance of this grant is in accordance with the “Live” goal to “[c]reate a more livable community” as described on pages 156-163 of Plan Cincinnati (2012); now, therefore,

BE IT ORDAINED by the Council of the City of Cincinnati, State of Ohio:

Section 1. That the City Manager is authorized to apply for, accept, and appropriate a grant of up to \$54,600 from the Ohio Department of Public Safety, Ohio Traffic Safety Office, Drive to Succeed 2024 Grant, to provide community-based scholarships to eligible students for driver education training.

Section 2. That the Director of Finance is authorized to deposit the grant funds into Law Enforcement Grant Fund 368, project account no. 24DTS.

Section 3. That the proper City officials are authorized to do all things necessary and proper to carry out the terms of the grant and Sections 1 and 2.

Section 4. That this ordinance shall take effect and be in force from and after the earliest period allowed by law.

Passed: _____, 2024

Aftab Pureval, Mayor

Attest: _____
Clerk

April 22, 2024

To: Members of the Budget and Finance Committee

202401224

From: Sheryl M. M. Long, City Manager

Subject: Ordinance – Police: FY 2024 Drive to Succeed Grant (B Version)

Attached is an Ordinance captioned:

AUTHORIZING the City Manager to apply for, accept, and appropriate a grant of up to \$56,160 from the Ohio Department of Public Safety, Ohio Traffic Safety Office, Drive to Succeed 2024 Grant, to provide community-based scholarships to eligible students for driver education training; and **AUTHORIZING** the Director of Finance to deposit the grant funds into Law Enforcement Grant Fund 368, project account no. 24DTS.

The B Version of this Ordinance represents an increase in the grant award of \$1,560 as compared to the original Ordinance for a new total award of \$56,160.

This Ordinance authorizes the City Manager to apply for, accept, and appropriate a grant of up to \$56,160 from the Ohio Department of Public Safety (ODPS), Ohio Traffic Safety Office (OTSO), Drive to Succeed 2024 Grant, to provide community-based scholarships to eligible students for driver education training. This Ordinance also authorizes the Director of Finance to deposit the grant funds into Law Enforcement Grant Fund 368, project account no. 24DTS.

The grant aims to expand access to teen driver training. The grant will address the localized needs of the community while establishing relationships between local law enforcement and the populations served.

The grant application deadline was March 15, 2024, and the City has already applied for the grant and received a notice of award, but no grant funds will be accepted without approval by the City Council. The grant does not require matching funds, and there are no new FTEs/full time equivalents associated with this grant.

Acceptance of this grant is in accordance with the “Live” goal to “[c]reate a more livable community” as described on pages 156-163 of Plan Cincinnati (2012).

The Administration recommends passage of this Ordinance.

cc: Andrew Dudas, Budget Director
Karen Alder, Finance Director



Attachment

AUTHORIZING the City Manager to apply for, accept, and appropriate a grant of up to \$56,160 from the Ohio Department of Public Safety, Ohio Traffic Safety Office, Drive to Succeed 2024 Grant, to provide community-based scholarships to eligible students for driver education training; and **AUTHORIZING** the Director of Finance to deposit the grant funds into Law Enforcement Grant Fund 368, project account no. 24DTS.

WHEREAS, a grant of up to \$56,160 is available from the Ohio Department of Public Safety, Ohio Traffic Safety Office, Drive to Succeed 2024 Grant program to provide community-based scholarships to eligible students for driver education training; and

WHEREAS, the grant will address the localized needs of the community while establishing relationships between local law enforcement and the populations served; and

WHEREAS, the City applied for the grant by the March 15, 2024 grant application deadline and was notified of the award on April 15, 2024, but no grant funds will be accepted without approval by Council; and

WHEREAS, this grant does not require matching funds, and there are no new FTEs/full time equivalents associated with this grant; and

WHEREAS, acceptance of this grant is in accordance with the “Live” goal to “[c]reate a more livable community” as described on pages 156-163 of Plan Cincinnati (2012); now, therefore,

BE IT ORDAINED by the Council of the City of Cincinnati, State of Ohio:

Section 1. That the City Manager is authorized to apply for, accept, and appropriate a grant of up to \$56,160 from the Ohio Department of Public Safety, Ohio Traffic Safety Office, Drive to Succeed 2024 Grant, to provide community-based scholarships to eligible students for driver education training.

Section 2. That the Director of Finance is authorized to deposit the grant funds into Law Enforcement Grant Fund 368, project account no. 24DTS.

Section 3. That the proper City officials are authorized to do all things necessary and proper to carry out the terms of the grant and Sections 1 and 2.

Section 4. That this ordinance shall take effect and be in force from and after the earliest period allowed by law.

Passed: _____, 2024

Aftab Pureval, Mayor

Attest: _____
Clerk



202401150

4/9/2023

MOTION

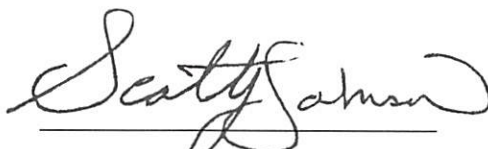
To Study the Pros and Cons of Project Labor Agreements (PLAs)


WE MOVE that the Administration produces a report within ninety (90) days on the pros and cons of Project Labor Agreements (PLAs). This report should include potential impacts on worker wages, labor availability, project costs, project efficiency, worker safety, workforce diversity, the bidding process, and any other relevant information. It should also include the historic context of any other similar policies implemented or studied by the City.

BACKGROUND

This motion is intended to bring forward the possible costs and benefits of requiring Project Labor Agreements (PLAs) for City construction projects.

PLAs are a pre-hire collective bargaining agreement between unions and contractors that govern the terms and conditions for all workers, both union and non-union, on a construction project. This practice has been used around the country and was recently implemented for most large-scale federal construction projects through Executive Order 14063.











2024 01119

Seth Walsh
Councilmember

4/9/2023

MOTION

To Provide an Update and Plan for Removing Problem Trees Planted by the City in Rights-of-Way

WE MOVE that the Administration provide a report within ninety (90) days regarding the process of replacing trees planted in the rights-of-way around the City that have damaged adjacent sidewalks and other private properties. This report should include the plan and current status for replacing all trees in the right of way that cause damage to the surrounding sidewalk including a timeline for replacement and projected cost to property owners and possible funding sources from the City to mitigate the cost.

BACKGROUND

The City of Cincinnati previously planted several trees in the rights-of-way around the City that overgrew their intended area and have damaged sidewalks. The repairs for these damaged sidewalks are then charged to the property owner despite not being their fault. The City has been working to replace these trees and repair the damage associated with them.

Councilmember Seth Walsh

Councilmember Reggie Harris

President of Board Victoria Parks

April 22, 2024

To: Members of the Budget and Finance Committee

202401196

From: Sheryl M. M. Long, City Manager

Subject: Presentation – Biochar Replication Facility Update

Attached is the Biochar Replication Facility Update Presentation from the Cincinnati Parks Department and the Office of Environment and Sustainability (OES) for the Budget and Finance Committee Meeting on Monday, April 22, 2024 at 1:00 PM.

cc: Natasha S. Hampton, Assistant City Manager
Virginia Tallent, Assistant City Manager
William “Billy” Weber, Assistant City Manager



cincinnati
BIOCHAR



WHY CINCINNATI? WHY NOW?



- Street trees are under assault
 - Compacted low nutrient soil
 - Increased drought conditions
 - Limited soil volume - Small tree wells
- Green Cincinnati Plan
 - Equitable tree canopy distribution
 - Environmental, economic, social, and health outcomes
- Innovative Urban Forestry Program
 - Identifying challenges and solutions
 - Working at the national level to advance new technologies
- Unprecedented funding opportunities
 - Bloomberg Philanthropies
 - Inflation Reduction Act sustainability initiatives



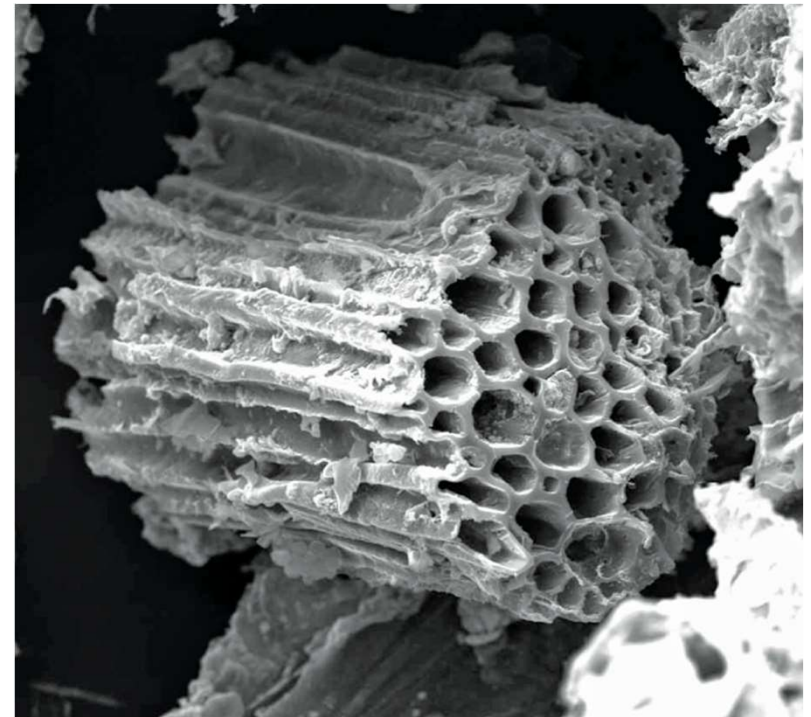
CINCINNATI BIOCHAR



- 2015 - Stockholm, Sweden pioneered municipal biochar production
- 2021 - Cincinnati was 1 of 10 cities in the world to complete feasibility study
- 2022 - One of 7 cities in the world to receive Bloomberg implementation grant (\$400K)
 - Selected Operating Partner: Carbon Harvest
- 2023 - Selected Equipment Provider
 - Complete Solutions Consulting International

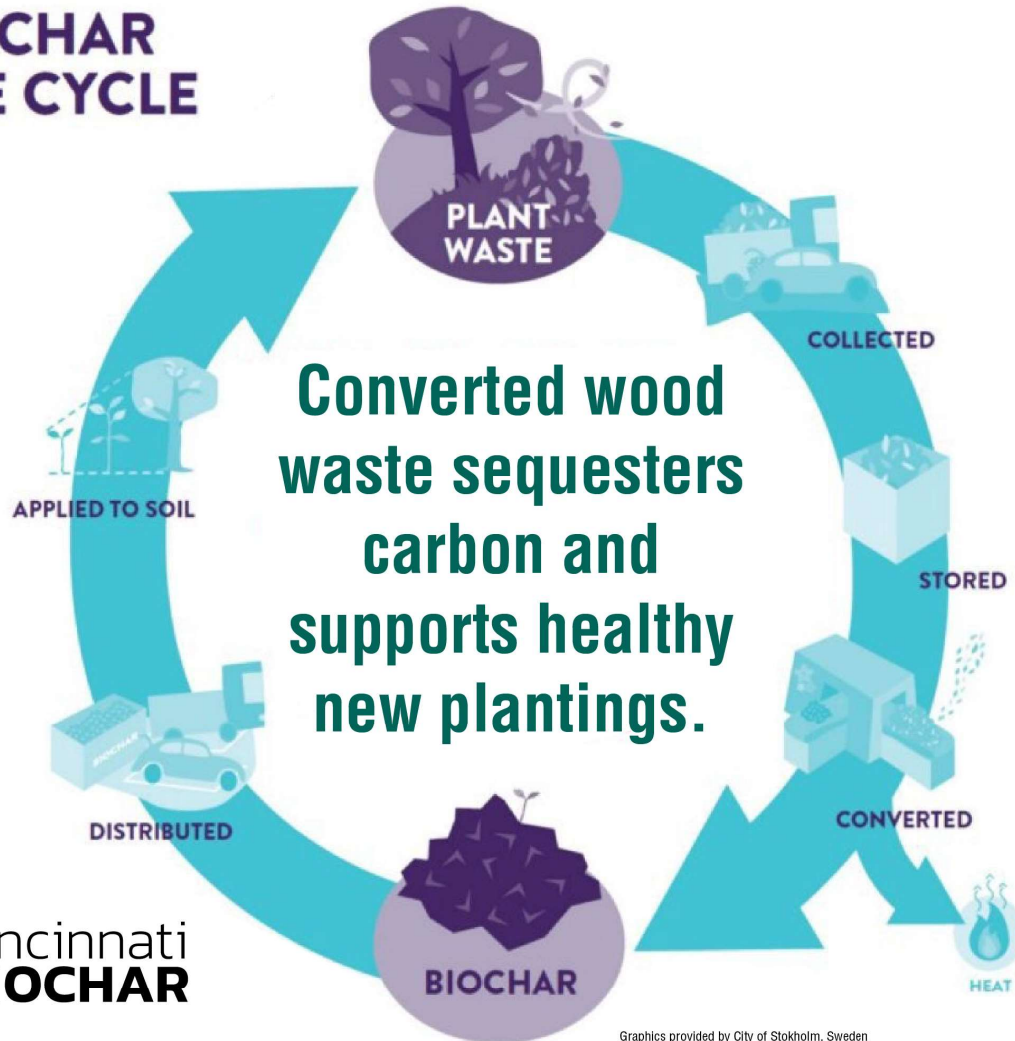


ANCIENT TECHNOLOGY/MODERN RELEVANCE



WHAT IS BIOCHAR?

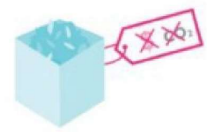
BIOCHAR LIFE CYCLE



Graphics provided by City of Stockholm, Sweden



COLLECTED
Wood waste will be repurposed instead of being tossed.



STORED
The material supports climate resilience keeping carbon out of the environment.



CONVERTED
Requires upfront capital investment for the equipment and to prepare the site.



DISTRIBUTED
Biochar will be used by partners and sold to generate carbon credits, eventually becoming self-sustaining.



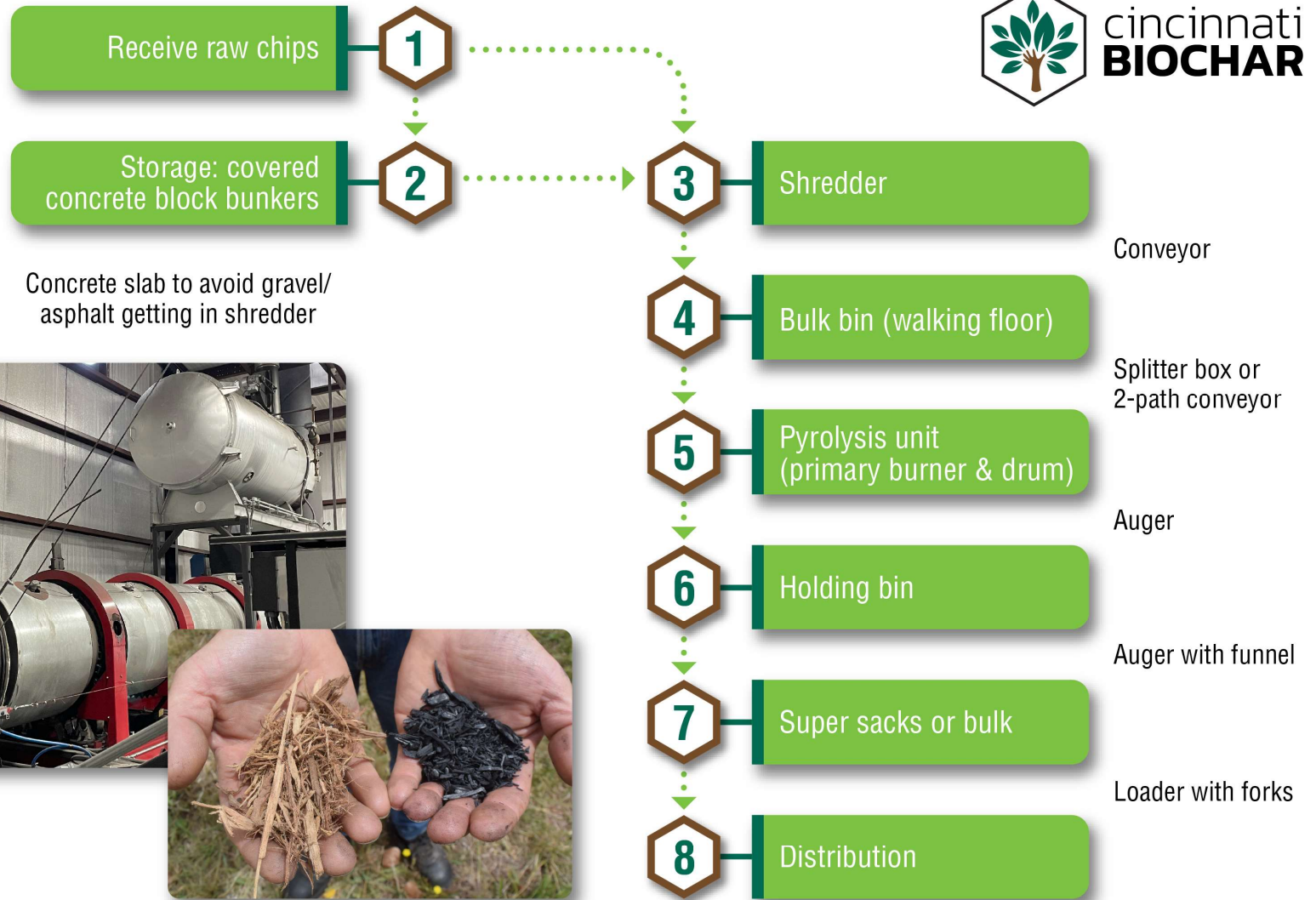
APPLIED TO SOIL
Biochar used when planting trees and gardens to increase growth, sequester carbon, and reduce stormwater.



cincinnati
BIOCHAR



BIOCHAR PRODUCTION FLOW



BIOCHAR PRODUCTION OPERATION



CARBON
HARVEST



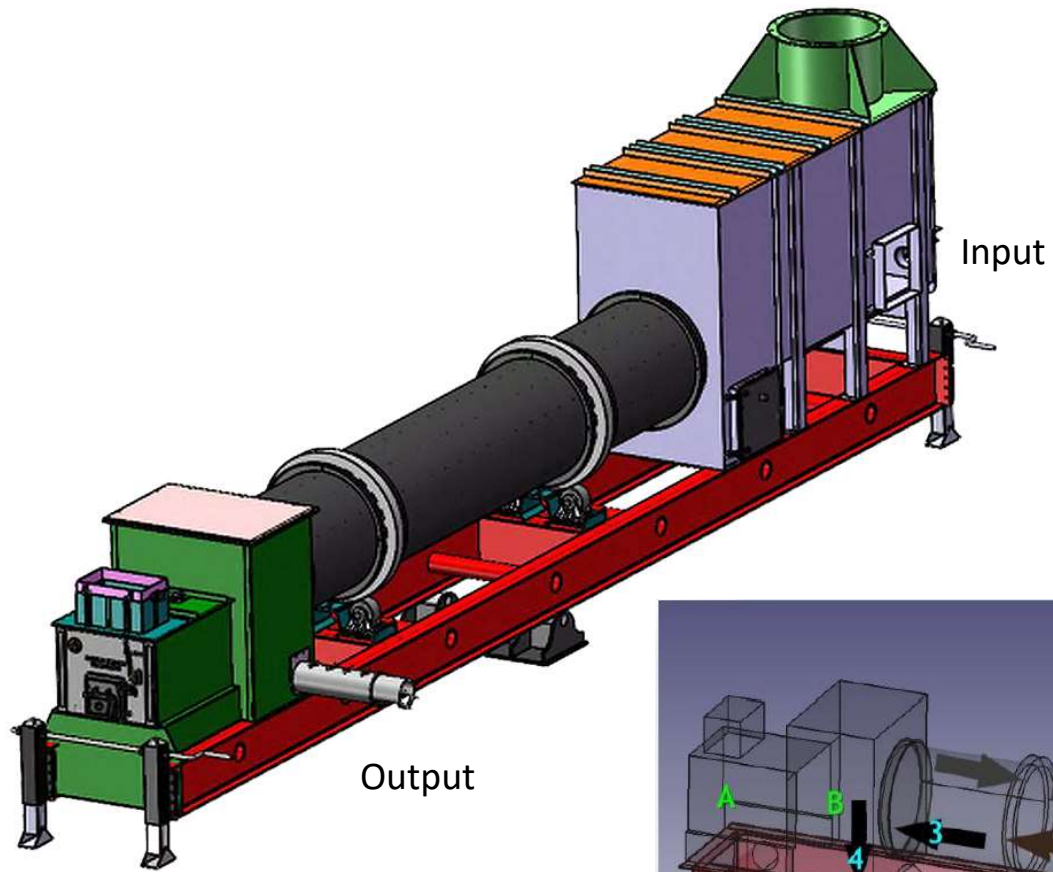
- Sam Dunlap, Carbon Harvest
 - Local expert in sustainable agriculture and education
 - Helped Cincinnati win the Bloomberg Grant
 - Led Urban Biochar Task Force for US Biochar Initiative
 - Founded Carbon Harvest in 2020 to create biochar and other soil improvement products to combat climate change
- 2 Staff:
 - Administrator (production/certification)
 - Operator
- Production 7 days/wk, 24hrs/day
 - Lower production rate when staff off-site
- Staff on site 6 days/wk and on-call
 - 24-hr remote monitoring



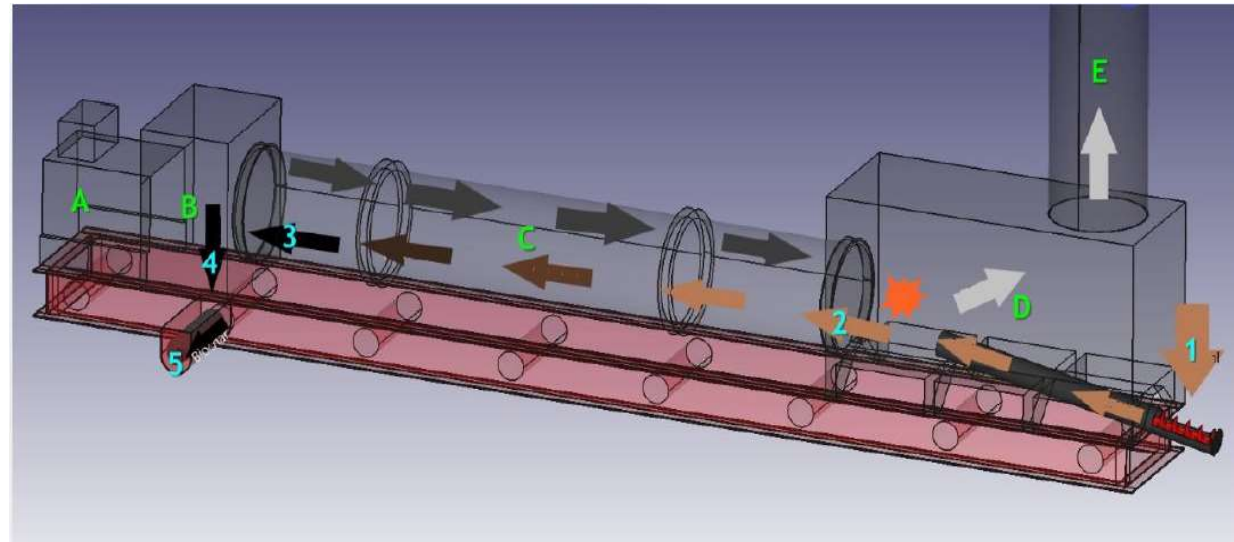
Shredder



Walking Floor



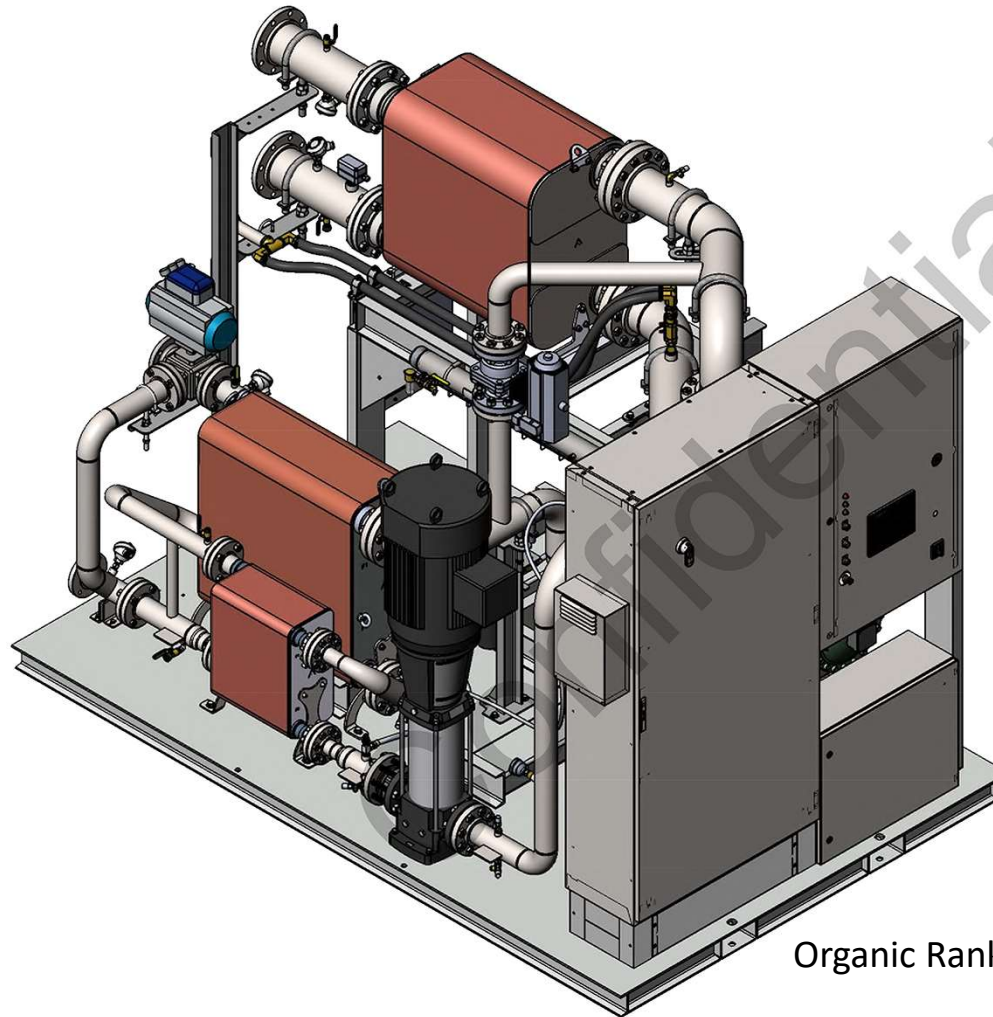
PYROLYSIS UNIT





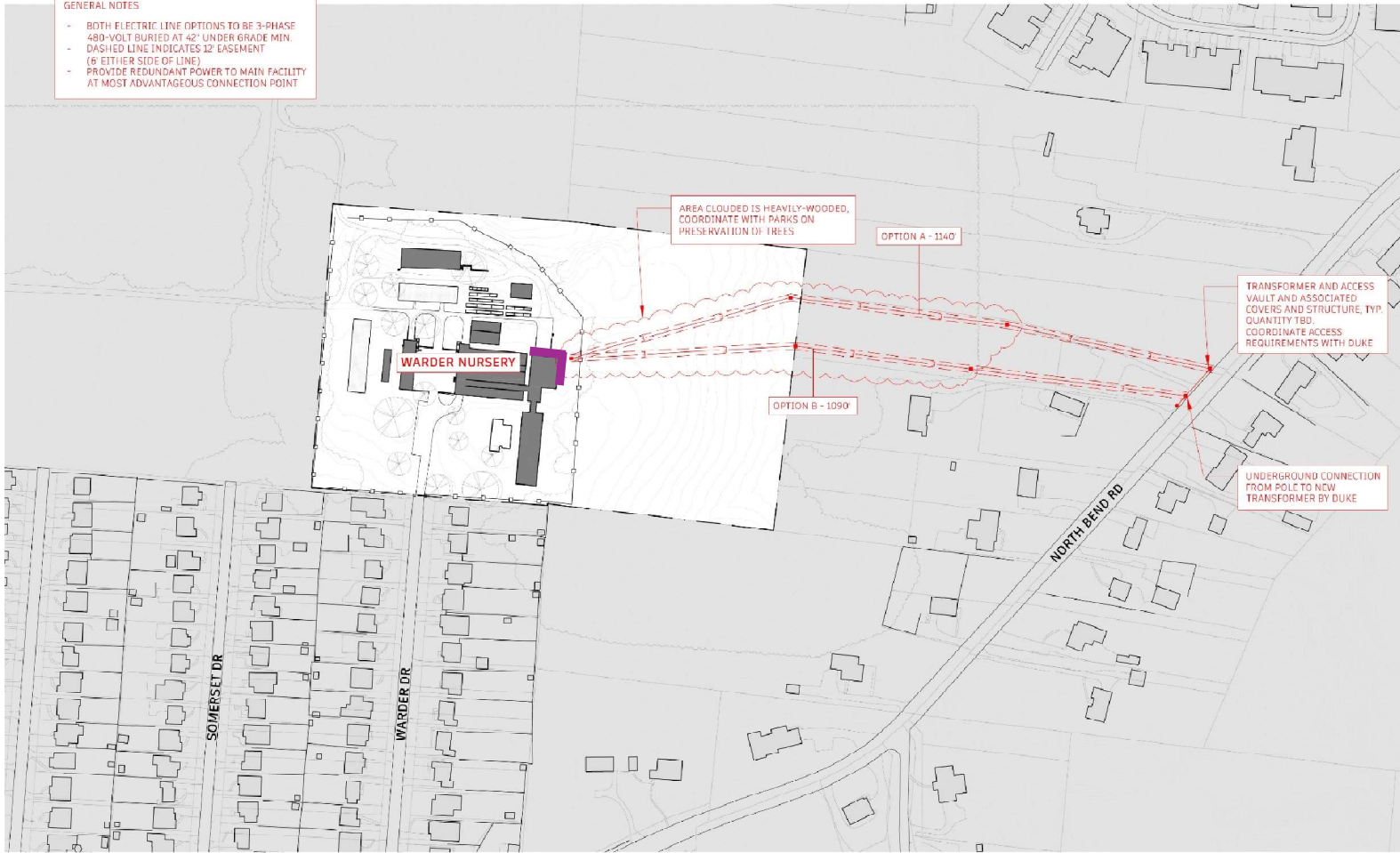
Boiler on top of Pyrolysis Unit

Harnessing Heat for Electricity



Organic Rankine Cycle - Generator

- GENERAL NOTES**
- BOTH ELECTRIC LINE OPTIONS TO BE 3-PHASE 480-VOLT BURIED AT 42" UNDER GRADE MIN.
 - DASHED LINE INDICATES 12' EASEMENT (6' EITHER SIDE OF LINE)
 - PROVIDE REDUNDANT POWER TO MAIN FACILITY AT MOST ADVANTAGEOUS CONNECTION POINT



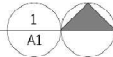
REV	DATE

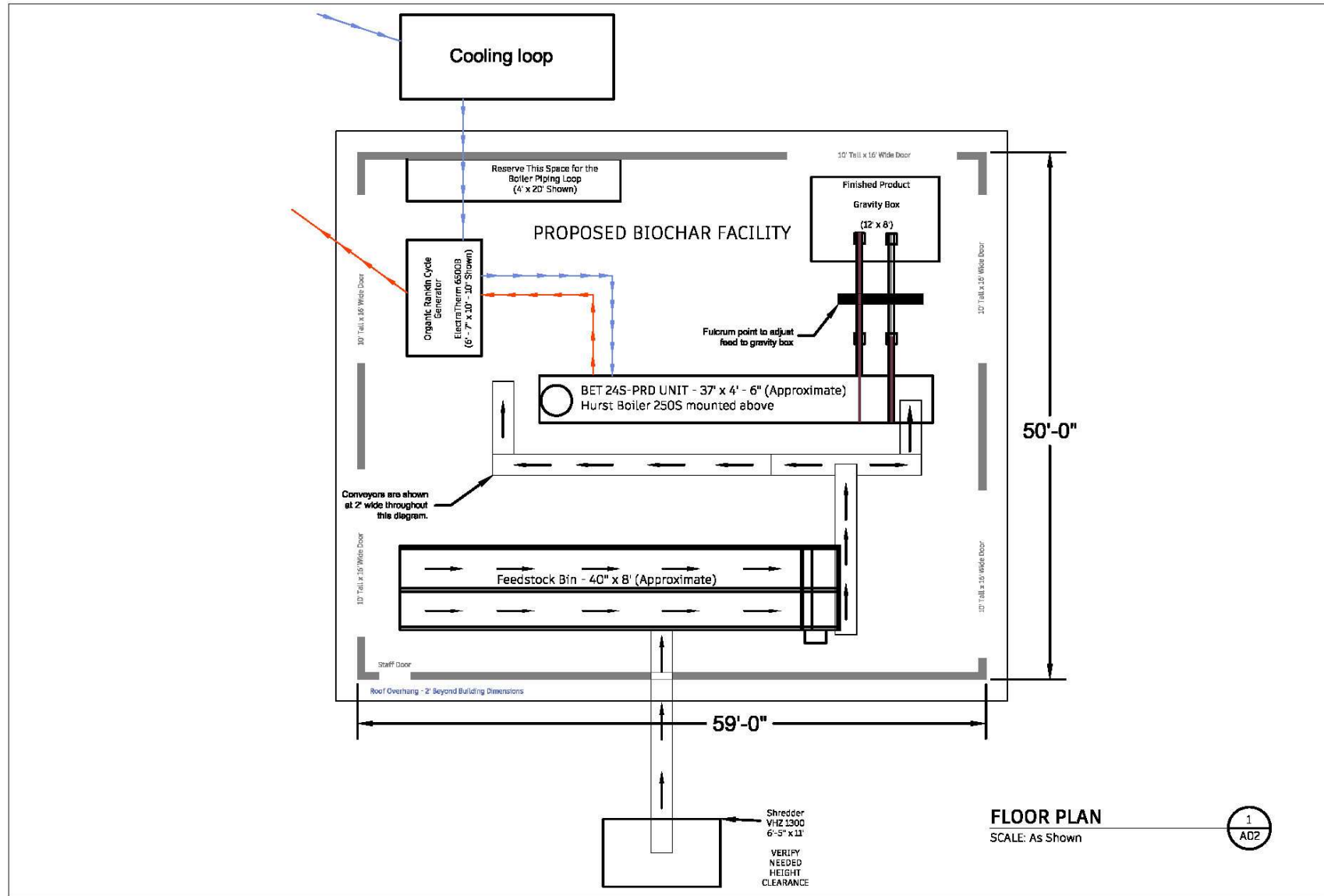
DATE
10/04/2023

SHEET NAME
SKETCH
UTILITY PLAN

DWG NO.
SK.U.P

SITE PLAN
SCALE: 12000





REV	DATE
DATE	
SCALE	As Shown
SHEET NAME	FLOOR PLAN
SHEET #	A02

BIOCHAR REVENUE POTENTIAL

- Approximately 85% of biochar produced will be available for sale
 - ~15% will be used by City & County Parks
- Due to strong environmental benefits, project will result in Carbon Credits available for purchase by corporations, institutions, etc.
 - Revenue from biochar and carbon credits will ramp up over first 3 years of production
- Estimated surplus revenue would be reinvested in capital maintenance of system, and in expanding Tree Canopy outside of ROW.
 - Prioritizing J40 census tracts and low canopy neighborhoods



HOW WILL PARKS USE 15%?

- Raw Biochar sent to Parky's Farm
- Mixed with manure/compost at 1:5 ratio to create enriched Biochar
- Parks uses in our tree plantings (.8 cy/tree)
- Great Parks uses in their plantings



NEXT STEPS

- Springfield Township easement and zoning approvals
- Finalize site design and mechanical engineering
 - Contract with mechanical engineer
 - Construction Drawings ~> Bids ~> Build
- Finalize Operations and Business Plan



Inflation Reduction Act {Direct Pay}

Enables tax-exempt organizations to elect cash payments for energy improvements (such as solar & electric vehicles) instead of the tax credits that previously only benefited for-profit organizations with tax liability



What's Changed With the IRA? Eligible Technologies

Investment Tax Credit: ITC-eligible technologies now include:



Solar PV



Battery Energy Storage



Thermal Energy Storage



Microgrid Controllers



Ground Source Heat Pumps



Electric Vehicles



Small-Scale Wind



Qualified Biogas



Combined Heat & Power



Fuel Cells



EV Charging



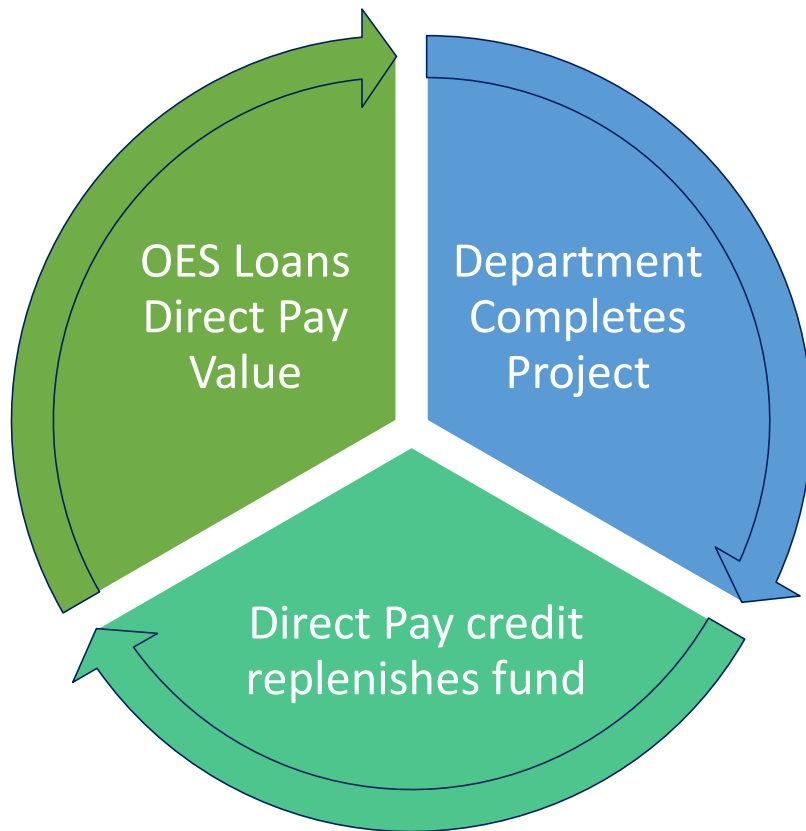


Credit “Layer Cake”

Credit Category	Credit Amount
Base Tax Credit (projects must pay prevailing wage)	+30%
Domestic Content Minimums (% attributable to U.S. Manufactured Products)	+10%
Siting in Energy Community ex. Brownfield site, area related to mining operations)	+10%
Siting in Low-Income Community or on Indian Land	+10%
Qualified Low-Income Residential Building Project or Economic Benefit Project	+20%



OES Revolving Loan Fund



- Provide funding to cover direct pay eligible costs
- Help address performance related deferred maintenance
- Subsidize the cost premium associated with high performance buildings & electric vehicles
 - Help departments avoid operational costs over time
- Recover direct pay benefits to reinvest the dollars
- **\$2M of seed funding, seeking additional investment**



Direct Pay Projects Underway



Solar on 9 city facilities – expecting **\$1.5M** return



Anaerobic Digester at MSD – expecting **~\$60M** return



Biochar Facility at Parks – expecting **\$850K** return



Battery backup at Rec Center Resilience Hubs –
expected **~\$150K**



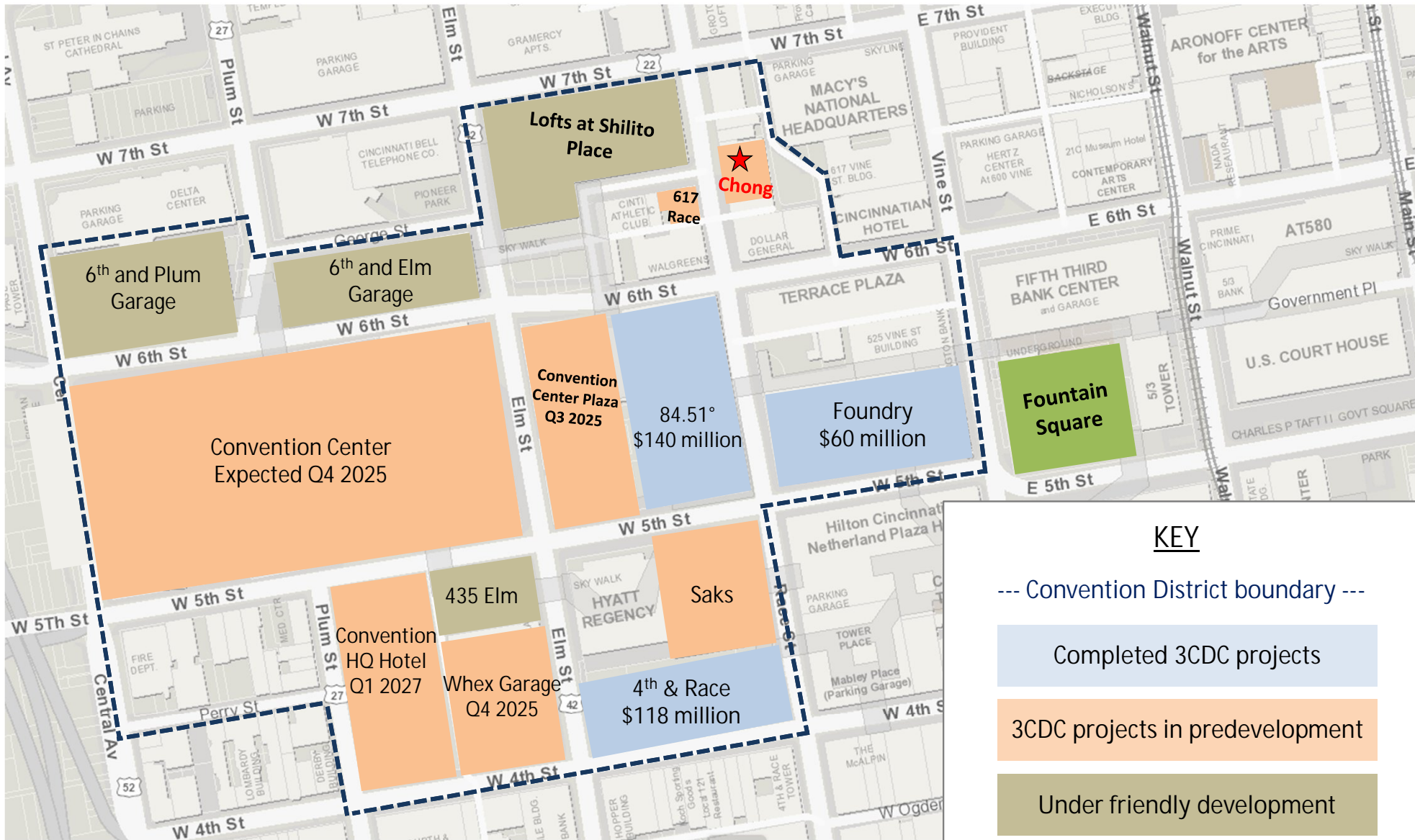
Fleet Electric Vehicles - **\$7,500** per vehicle

614-16 Race Building

Background

- 3CDC Purchased the land lease and subsequently bought out the leaseholders
- The purchase was made strategically to better connect the convention district to new hotels at 7th and Race
- Also provides insurance against further negative uses in the block
- 3CDC has completed demolition of the non-historic façade and completed all interior demolition and environmental abatement





KEY

- Convention District boundary ---
- Completed 3CDC projects
- 3CDC projects in predevelopment
- Under friendly development







CURRENT CONDITION



Status Update

- Developer is Keystone Hotels
 - Owner of Towneplace Suites at NW corner of 7th and Race
 - Final product would be a 112 room Home2Suites extended stay hotel
 - \$28 million total development costs



TOWNPLACE SUITES